



DAWN HOUSE



DAWN HOUSE BED | OWNER'S MANUAL LIT AJUSTABLE DAWN HOUSE | MANUEL DU PROPRIÉTAIRE

Customer Service / Service à la clientèle : www.dawnhouseliving.com | 1-888-DAWNHSE (1-888-329-6473)

Actual product appearance and functionality may vary from photographs, illustrations and descriptions included in this manual.
L'apparence et les fonctionnalités du produit peuvent différer de la photo, des illustrations et des descriptions incluent dans ce manuel.

TABLE OF CONTENTS

TABLE DES MATIÈRES

ENGLISH

Safety Precautions and Usage Statements	1-3
Parts List	4
Base Overview	5
Electronic Overviews	6-8
Installation Guide	9-10
Dawn House Headboard Installation.....	11
Placing the Bed into Your Own Furniture.....	12
Remote Control.....	13-14
The Puck Voice Activated System Overview	15
The Puck Voice Activated System Installation.....	16
The Puck Voice Commands	17
Syncing Two Twin Long Bases (Optional)	18
Emergency Battery Backup Strap	19
Troubleshooting	20

FRANÇAIS

Consignes de sécurité et d'utilisation	21-23
Liste des pièces	24
Présentation du lit	25
Composantes électroniques.....	26-28
Guide d'installation	29-30
Installation de la tête de lit Dawn House.....	31
Placer le lit dans votre propre cadre de lit	32
Télécommande	33-34
Vue d'ensemble du système de rondelle à commande vocale	35
Installation du système de rondelle à commande vocale ...	36
Commandes vocales de la rondelle	37
Synchronisation de deux lits Simple XL (en option)	38
Sangle pour piles de secours.....	39
Dépannage.....	40

For customer support, visit www.dawnhouseliving.com or call: 1-888-DAWNHSE (1-888-329-6473)

Pour le service à la clientèle, visitez le www.dawnhouseliving.com ou appelez au 1-888-DAWNHSE (1-888-329-6473)

SAFETY PRECAUTIONS AND USAGE STATEMENTS

ATTENTION: IMPORTANT SAFETY DISCLAIMERS

READ THE FOLLOWING INFORMATION BEFORE USING THIS PRODUCT. FAILURE TO USE A SURGE PROTECTION DEVICE COULD COMPROMISE SAFETY OR CAUSE PRODUCT MALFUNCTION AND COULD VOID THE ELECTRICAL PORTION OF YOUR WARRANTY.

TO REDUCE THE RISK OF SHOCK, BURNS, FIRE OR INJURY:

For optimal safety and operation, plug bed base into a surge protector (not included). The bed base should only be plugged directly into a wall outlet or surge protector (strongly recommended). Always unplug the base from the electrical outlet before servicing any part of the base. To reduce risk of electric shock, unplug the base before cleaning. To safely disconnect, ensure the base is in a flat position with all motors off, and unplug from power source. Keep the power cord away from heated surfaces. Discontinue use of the bed base and contact a qualified service center if: it has a damaged cord or plug, if it is not working properly, or it has been dropped into water. Only use this bed base for its intended use as described in this manual. Do not use accessories/ attachments that are not recommended by the manufacturer. Close supervision is required when the bed base is used by or near children, convalescents, disabled persons or pets. Improper connection of the equipment can result in the risk of electrical shock, electrical fire or faulty operation of this bed base. If the plug does not fit your outlet, contact a qualified electrician to install a suitable outlet. Unauthorized modification or failure to use a wall outlet or surge protector could void the electrical portion of your warranty.

CHILDREN AND PETS:

Immediately dispose of all packing materials as it may pose a smothering risk to small children and pets. To avoid injury, it is not advised to allow children and small pets to play on or under the bed. Children should not operate the bed base without adult supervision.

SAFETY FEATURES:

Manual operation – If something gets caught in the platform when flattened, you can manually raise the platform up by lifting at either the head or foot to relieve pressure and allow for release.

Emergency stop – Stop the motion of the platform by pressing any

button on the remote control.

Power outage – Use the “Emergency Battery Backup Strap” as a temporary power source to get the base to a desired position. Instructions on how to operate the Battery Backup Strap are on the Emergency Battery Backup page.

Child-lockout – This remote control is programmed with a child-lock safety feature. Information can be found on the remote control pages.

PACEMAKERS:

Some products contain Neodymium MAGNETS which may interfere with devices such as pacemakers, ICD’s and any other device sensitive to magnetic fields. It is STRONGLY recommended that owners of such medical devices consult their physician prior to using products that contain Neodymium MAGNETS. It is also possible that some pacemakers may falsely interpret the optional massage feature vibrations as movement/exercise. This is a common occurrence with any product that creates a vibrating movement and may affect the pacemaker. Please consult your physician before using the massage feature.

IN-HOME USE AND HOSPITAL STANDARDS:

Ergo adjustable bed bases are designed solely for in-home use. This base was not designed as a hospital bed and is not designed to meet hospital standards. Do not use this base with TENT TYPE oxygen therapy equipment or near explosive gases.

ADDITIONAL SAFETY FEATURES

Casters (optional leg accessory) are equipped with locking wheels to prevent unwanted movement. Even when locked and unable to roll, it is possible for the casters to slide. Free release head and foot motors are designed to lower the mattress by retracting only with gravity, never pulling downwards, which minimizes pinch points

SAFETY PRECAUTIONS AND USAGE STATEMENTS

LIFTING/LOWERING MECHANISMS

The lift/lower feature will emit a minimal humming sound during operation. This is normal. During operation, the lift arm wheels make contact with the platform support of the base. This contact may result in metal on metal or metal on plastic contact. This applies slight tension on the moving components and resonance is reduced to a minimum level. If excessive noise or vibration is experienced, reverse the movement action (up or down) of the base with the remote control. This should realign the base's activating mechanisms to the proper operational position. In normal base operation, the wheels, which allow the bed to maintain its distance from the wall, will make contact with the steel platform supports of the base creating a contact noise. When entering, exiting or shifting weight on the base, this contact noise may be audible as the wheels make contact. This is normal.

MATERIALS

Ergo adjustable bases are constructed from various materials including woods, metals, plastics and fabrics. Tension, pressure or movement applied to the frame, platform or shroud through general use may create an audible sound.

MESSAGE OPERATION AND LOCATION ENVIRONMENT

The massage feature will emit a tone during operation. This is normal. As the massage intensity level is increased, the tone will intensify. The volume of this tone is directly related to the location environment. For example, when demonstrated in a show room, the surrounding environmental noise will cover some of the massage noise. However, when installed in a home setting with wooden floors, carpeted or not, the massage volume will be more noticeable. To minimize this resonance, place a piece of carpet, or rubber caster cups, under each leg or caster of the base. It is possible to experience vibration or noise from the exterior bed frame, headboard brackets, headboards or footboards if mounting bolts are not firmly tightened.

Levels 1-3 of massage intensity represent the revolutions of the motor per minute. Level 3 provides the maximum number of RPMs. However, this does not mean that the feeling of vibration is the strongest.

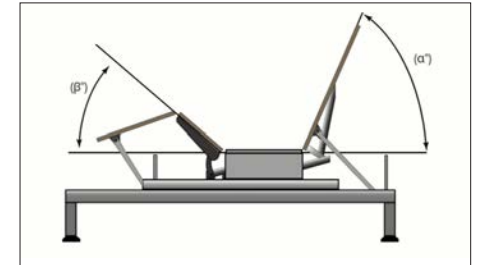
Depending on the mattress material, thickness, and positioning of the user, the feeling of vibrations will differ. We encourage the user to find the massage intensity setting that suits them best. It is important to understand the physics of vibrations. Just as an engine may run rough during idle, as the RPMs increase, the vibrations change concurrently.

TOLERANCE

All Ergo adjustable foundations, depending on make and model, are designed and manufactured to perform and function within designated quality control parameters. Bases are subject to meticulous and rigorous inspections during the quality control process to ensure bases will operate within these standards during normal operating use. Normal operating use is defined as the following: Adjustable foundation is to be operated with a mattress and load. Testing procedures require lifetime cycle tests with up to 120kg distributed load. The angle (designated "α" in figure) between the back section and the flat section for various configurations of the mattress support platform shall be $\pm 3^\circ$, which translates to a tolerance of up to $1\frac{1}{2}''$.

The angle (designated "β" in figure) between the flat section and foot section for various configurations of the mattress support platform shall be $\pm 3^\circ$, which translates to a tolerance of up to $\frac{3}{4}''$.

Any adjustable foundation deemed to be within these allocated tolerances is considered to have met the manufacturer's quality control standards.



THAT "NEW PRODUCT" SMELL:

Some people notice a slight odor to their new adjustable base—this can come from our material manufacturing process. This smell is normal and usually disappears before the product reaches you. Sometimes, however, this smell may still be noticeable. It usually disappears after a few weeks, providing adequate ventilation of the product and the

SAFETY PRECAUTIONS AND USAGE STATEMENTS

environment.

BREAK IN PERIOD:

You can speed up the break-in period by simply spending time in the adjustable bed through activities such as reading, watching TV or playing with the kids or grandkids. The extra movement will help the adjustable base respond to weight and temperature changes. Some of the materials in our adjustable bases such as the woods, metals and plastics used in the platform, frame and components are sensitive to moisture content and temperature and may make sounds in colder environments.

PAIRED OPERATION:

When operating a “paired” split base setup there may be a time latency up to 1.5 seconds between each bases articulation.

WEAR AND TEAR:

Wear and tear is damage that naturally and inevitably occurs as a result of normal use or aging.

FABRIC CARE:

To prolong the life of your fabric, protect from direct sunlight whenever possible. For spot cleaning, wipe area with a light damp sponge or vacuum with a soft brush attachment to remove particles. Keep at a minimum of 30cm (12 inches) away from direct heat sources. For a deeper cleaning, blot liquid spills with a clean dry cloth. Wipe with a clean cloth dampened with warm water. Do not wet excessively. A soft bristle brush may be used to remove ingrained soil. Avoid scratching by gentle brushing. Wipe with a clean cloth dampened with warm water to remove residues. Dry in shade away from direct heat. If persistent marks remain visible after cleaning, seek professional advice.

PRODUCT RATINGS:

The lift motors are not designed to operate continuously for more than [2] minutes in an [18] minute time period or approximately 10% duty cycle. Attempting to circumvent or exceed this rating will shorten the life expectancy of the product and may void the warranty. The massage motors are not designed to operate continuously for more than 30

minutes at a time. Please allow the massaging system to rest for 30 minutes after automatic massage shut off before restarting.

WEIGHT LIMITS:

This product is not rated to support weights in excess of 340 kg (750 pounds) for all sizes. The base will structurally support this weight, provided it is evenly distributed across the bed base. The adjustable base is not designed to support or lift this amount in the head or foot sections alone. Exceeding this weight restriction could damage the bed and/or cause injury and will void the warranty.

SAVE THESE INSTRUCTIONS.

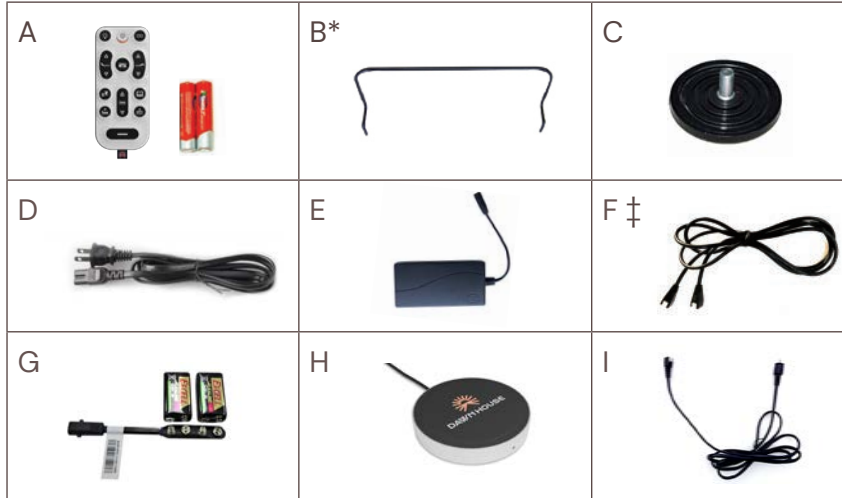
FCC COMPLIANCE:

NOTE: This equipment has been tested and found to comply with the limits for a Class B digital device, pursuant to part 15 of the FCC Rules. These limits are designed to provide reasonable protection against harmful interference in a residential installation. This equipment generates, uses and can radiate radio frequency energy and, if not installed and used in accordance with the instructions, may cause harmful interference to radio communications. However, there is no guarantee that interference will not occur in a particular installation. If this equipment does cause harmful interference to radio or television reception, which can be determined by turning the equipment off and on, the user is encouraged to try to correct the interference by one or more of the following measures:

- Reorient or relocate the receiving antenna.
- Increase the separation between the equipment and receiver.
- Connect the equipment into an outlet on a circuit different from that to which the receiver is connected.
- Consult the dealer or an experienced radio/TV technician for help.

PARTS LIST

BEFORE DISCARDING THE PACKING MATERIALS - ENSURE ALL THE PARTS ARE ACCOUNTED FOR. ALL ELECTRONICS AND COMPONENTS THAT NEED TO BE INSTALLED ARE LOCATED IN BOXES UNDER THE BASE OR ATTACHED TO THE FRAME.



- A. Wireless Remote Control & AAA Batteries (2)
- B. Mattress Retainer Bar*
- C. Legs Pads (4)
- D. Power Cord
- E. Power Supply
- F. Sync Cord ‡
- G. Battery Backup Strap
(2) 9V Batteries (not included)
- H. Puck Voice Activated System
- I. Input Cord

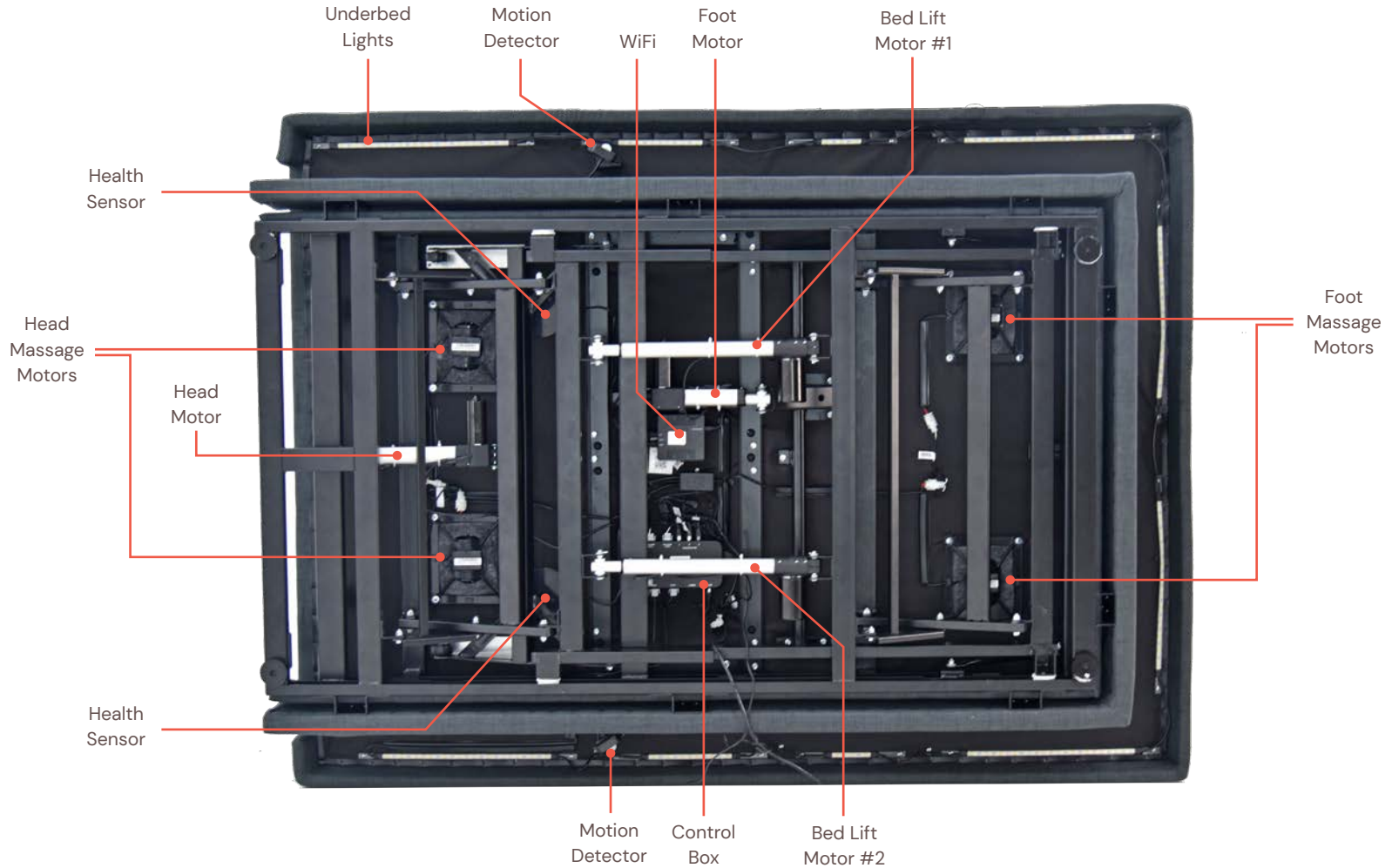
MISC PARTS RECOMMENDED(NOT INCLUDED):

Surge Protector

* These items are attached to the base for shipping purposes. Carefully remove from base and set aside.

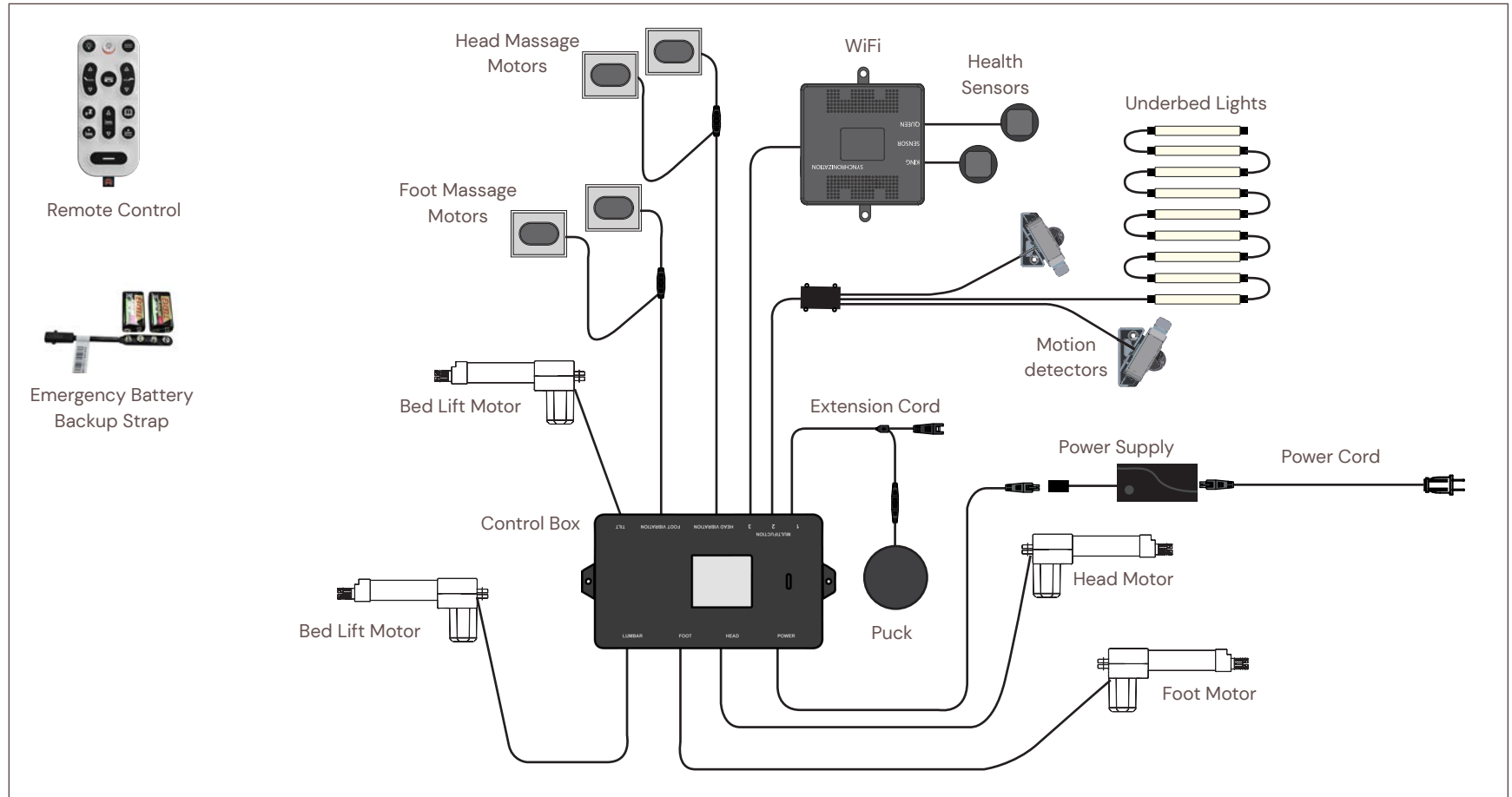
‡ Only included in Twin Long and Cal King Split bases.

BASE OVERVIEW



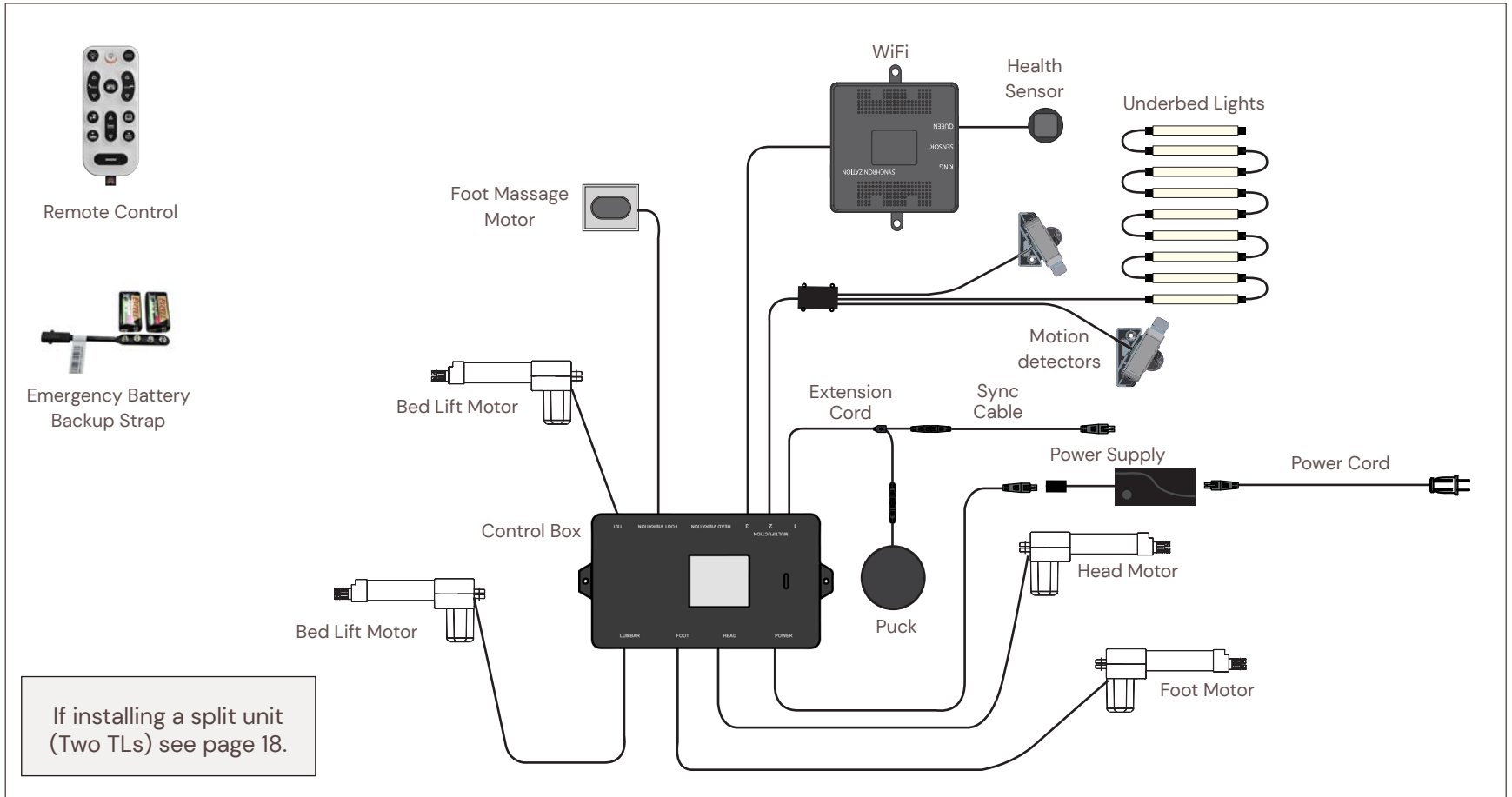
QUEEN SIZE ELECTRONIC OVERVIEW

NOT TO SCALE. FOR ILLUSTRATION PURPOSES ONLY. READ ALL INSTRUCTIONS BEFORE BEGINNING INSTALLATION.



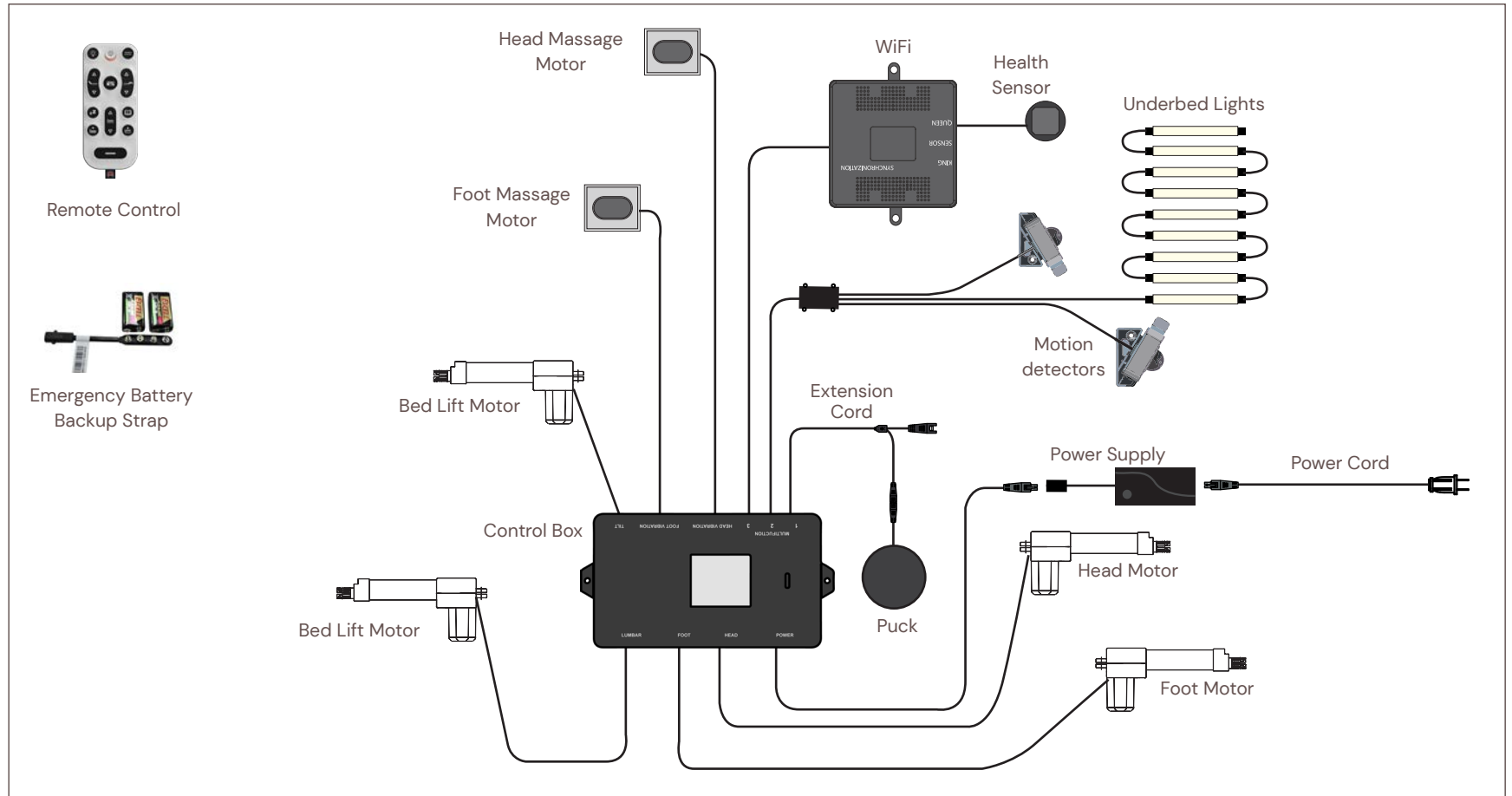
TWIN LONG SIZE ELECTRONIC OVERVIEW

NOT TO SCALE. FOR ILLUSTRATION PURPOSES ONLY. READ ALL INSTRUCTIONS BEFORE BEGINNING INSTALLATION.



FULL SIZE ELECTRONIC OVERVIEW

NOT TO SCALE. FOR ILLUSTRATION PURPOSES ONLY. READ ALL INSTRUCTIONS BEFORE BEGINNING INSTALLATION.



INSTALLATION GUIDE

ALWAYS USE TWO PEOPLE WHEN SETTING UP THE BASE.

STEP 1

With the help of an able-bodied assistant, place the carton on the floor in its desired location with the bottom side facing up. Remove all tape and binding straps, being careful not to puncture the box with any sharp objects.

STEP 2

Open the box and remove the plastic bag. Cut the zip ties and set aside any accessories and electronics. Ensure that all items from the parts list on page 4 are set aside before proceeding to Step 3.

STEP 3

Screw in the leg pads on all four corners of the frame.



STEP 4

Using two people, carefully flip the base to an upright position and move it to its desired location.

STEP 5

To install the mattress retainer bar, insert each end of the bar into the holes at the foot of the base. Rotate the bar so that it is resting on the edge of the base.



STEP 6

Plug the Puck wireless charger into the extension cord located on the underside of the bed at the head section. See pages 15-17 for more information.



INSTALLATION GUIDE (CONTINUED)

STEP 7

Locate the input cord under the base and plug it into the power supply.



STEP 8

Insert the power cord into the power supply.



STEP 9

Plug the power cord into a power source.

A surge protector is recommended.



STEP 10

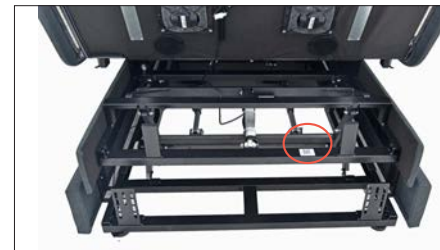
Install the remote batteries and test all functions to verify proper setup before placing mattress on base. Return the base to a flat position before placing the mattress on top.

STEP 11 *(Optional: For Dawn House mattress orders only)*

If you received the Dawn House mattress with your order, remove it from its carton and unroll the mattress. Carefully cut open the vacuum sealed packaging and place the mattress on the base.

STEP 12

1. Have your home Wi-Fi password available as you will need it to set up your Dawn House app.
2. You may need your iPhone or Android account password if you have not downloaded an app on your phone recently.
3. To use the in-app remote and view your sleep and health reports download the Dawn House App from the App Store (Apple) or Google PlayStore (Android) and follow the in-app instructions to connect your base to your phone.
4. After granting all permissions within the app look for the "Searching for your bed..." message on the app screen. If you are setting up a Split King you should set up 1 side at a time. Power up the first side only, pair to the bed, then power up the other side to pair with the other mobile device. If you have powered up both sides be sure to turn off one side and follow directions above.
5. If prompted to scan QR code, raise the head section and locate the code on the frame. See image (right).



- ▶ To assemble the Dawn House headboard, proceed to the next page for installation.
- ▶ For instructions regarding the use of your own furniture, see page 11.
- ▶ If not installing headboard or placing in furniture, setup is complete.

DAWN HOUSE HEADBOARD INSTALLATION

CONTINUE WITH THE STEPS BELOW TO INSTALL YOUR DAWN HOUSE HEADBOARD.

STEP 1

With the help of an able-bodied assistant, place the headboard carton on the floor in its desired location. Remove all tape and binding straps, being careful not to puncture the box with any sharp objects.

STEP 2

Open the box and remove the plastic bag. Be sure to locate and set aside any hardware.

STEP 3

Use the remote control to raise the head of the adjustable base all the way. Unplug the power cord from the power source.

STEP 4

Align the headboard to the headboard mounting points on the frame.



STEP 5

Secure the headboard to the base with included screws. (At least two screws are needed per mounting point.)



STEP 6

Feed the power cord through the hole in the headboard and plug it into the power source.



PLACING THE BED INTO YOUR OWN FURNITURE

IF YOU HAVE A HEADBOARD OF YOUR OWN, A UNIVERSAL HEADBOARD BRACKET CAN BE USED TO MOUNT YOUR EXISTING HEADBOARD SAFELY AND SECURELY TO THE BASE. IF YOU HAVE AN EXISTING BED FRAME, OUR BED MAY WORK; HOWEVER, SOME KEY FEATURES MAY BE INCOMPATIBLE.

WARNING: Placing the Dawn House bed inside of an existing bed frame can cause pinch point and entrapment risks. Please thoroughly consider the risks before using your own bed frame.

EXCEPTIONS:

- Our bed should not be placed on slats or box springs
- Our bed may require legs (sold separately) to be compatible with some 3rd party bed frames.*
- Underbed lighting and motion activated underbed lighting will be hindered by 3rd party bed frames
- The Support Rail (sold separately) is incompatible with 3rd party bed frames.

* If your bed frame is taller than Dawn House bed, 3" legs are offered (sold separately). Visit [Dawnhouseliving.com](https://dawnhouseliving.com) to purchase.

MEASURING: Smallest internal dimensions of the bed frame (with the mattress support removed) should be no less than:

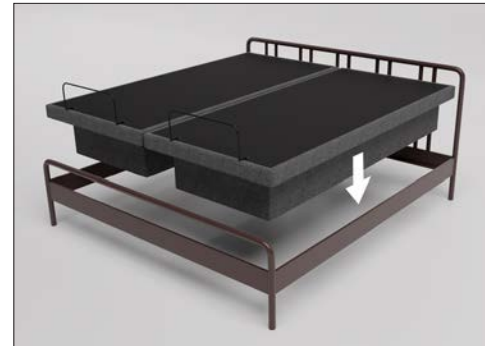
- Twin Long – 95 x 206 cm
- Full – 135 x 191 cm
- Queen – 150 x 206 cm
- King/Split King – 191 x 206 cm

Measurement tip: If your existing mattress will sit on the floor inside of your current bedframe, then the Dawn House Bed should also fit.

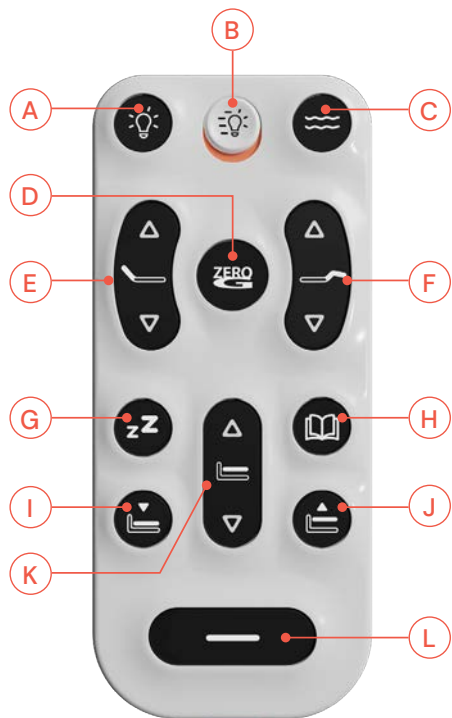
PLACING THE BED INTO YOUR OWN FURNITURE

The Dawn House bed is slightly narrower than the standard bed frame size and can work with most existing bed frames.

The bed is designed to rest on the floor, which will require the removal of box springs or slats from your current frame.



REMOTE CONTROL



BUTTON FUNCTIONS

- A. Light: Turn the underbed lights **On/Off**.
- B. Motion Detector Switch: Motion activated underbed lighting: **On(Up)/Off(Down)**
Note: Press the Flat button to confirm selection.
- C. Relax: Massage cycle (**Low > Medium > High > Off**)
After 10 minutes, massage timer will automatically turn off.
- D. Zero-G®: Preset position that adjusts your legs to a higher level than your heart helping to relieve pressure off the lower back and promote circulation.
- E. Head Articulation: Raises and lowers the head end of the adjustable base.
- F. Foot Articulation: Raises and lowers the foot end of the adjustable base.
- G. *Anti-Snore: Programmable preset position raises the head section of the base slightly to help reduce snoring.
- H. *Read: Programmable preset position ideal for reading a book or watching TV.
- I. **Low: Programmable bed-height preset position.
- J. **High: Programmable bed-height preset position.
- K. Bed: Raises and lowers the bed height.
- L. Flat: Return the adjustable base to a flat position.

***TO PROGRAM A NEW HEAD/FOOT ARTICULATION PRESET:** Articulate the head and foot to your desired position. Press and hold one of the preset buttons [**Snore, Read**] for 7 seconds. The position is now saved.

****TO PROGRAM A NEW BED HEIGHT PRESET:** Raise or lower the bed to your desired bed height. Press and hold one of the preset buttons [**LOW, HIGH**] for 7 seconds. The position is now saved.

NOTE: To restore the preset buttons back to their original factory settings, hold FLAT and ZERO-G® simultaneously for at least 5 seconds. The original presets will be restored.

Download the Dawn House app for an in-app remote control tutorial.

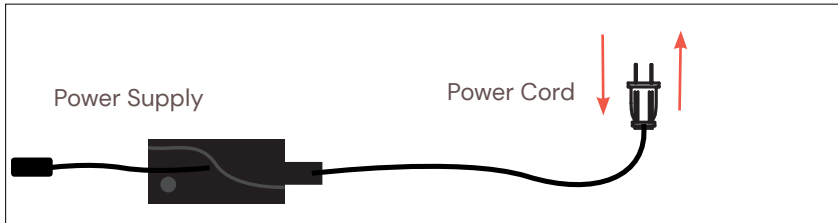
REMOTE CONTROL

REMOTE CONTROL PAIRING:

The remote that comes in the box is already paired to the adjustable base. No further action is required. In the event that the remote is not paired with the base, follow the steps below.

STEP 1

Disconnect the base from its power outlet. Wait 10 seconds, then plug it back in.



STEP 2

Remove the battery cover on the back of the remote control. Press and hold the PAIR button for about 5 seconds until the PAIR button stops flashing. Once it stops flashing, the remote has been successfully paired.



STEP 3

Test all remote functions. If the remote buttons do not impact the adjustable base movements, please repeat the process again or call Dawn House customer service: 1-888-DAWNHSE (1-888-329-6473)

CHILD LOCK FUNCTION:

Activating the Child Safety Lock will disable the functions on the remote to prevent unwanted or accidental operation of your adjustable base. To resume use of your adjustable base, you must deactivate the Child Safety Lock.

ACTIVATE CHILD LOCK

Press and hold the **HEAD UP** and **FLAT** buttons together for 3 seconds until the remote backlight flashes twice.

The remote is now in Child Lock. Pressing any buttons while in Child Lock will yield no movement to your adjustable base.



DEACTIVATE CHILD LOCK

Press and hold the **FOOT UP** and **FLAT** buttons together for three (3) seconds until the remote backlight flashes twice.

The remote is no longer in Child Lock. The remote and adjustable base will work normally.



THE PUCK VOICE ACTIVATED SYSTEM OVERVIEW

PLEASE FAMILIARIZE YOURSELF WITH ALL SAFETY INFORMATION BEFORE SETTING UP THE PUCK VOICE ACTIVATED SYSTEM.

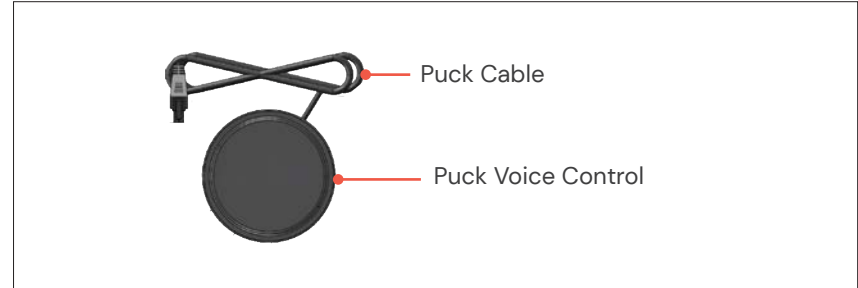
ATTENTION: Your adjustable base can pose an entrapment hazard which is increased in households with small children and or pets. Using voice controls further increases this entrapment hazard due to the potential of unintentionally triggering a command vocally. The voice controls could be unintentionally triggered by yourself, a small child, the television, a radio program, etc. and by using this product you agree that you have read and reviewed the commands, including the Emergency Commands, and acknowledge the increased entrapment risk associated with using voice commands.

If you agree with this statement, please read the instructions on the following pages to learn how to setup the Puck, however if you have any questions in regard to the use of voice controls please contact customer service prior to activating the Puck.

WIRELESS CHARGER

- **Intro:** This item has a wireless charging function. The maximum charging power is 10W. Place the device to be charged in the center of the wireless charger. During normal operation, the green light will indicate that it is charging.
- **Overheat Protection:** In a high temperature environment, when the internal temperature of the product rises to 70 degrees (C), the wireless charger will enter a protection mode and the product will turn off the wireless charging function. When the internal temperature lowers to below 50 degrees (C), the charging function will resume.
- **Incompatible Device Detection:** If an incompatible device is placed on the charger, the red light will indicate that the device should be removed.

OVERVIEW



SAFETY INFORMATION

If you wish to stop using voice commands, you can turn the device off by switching the slider on the puck to the middle "OFF" position. Your adjustable base can pose an entrapment hazard and there is an increased risk for households with small children and or pets. Using voice controls increases this entrapment hazard due to the potential of accidentally triggering a command vocally. The voice controls could be unintentionally triggered by a small child, television, radio program, etc., please read the "Emergency Commands" section so that you are familiar with these commands in the event of an emergency.

ENTRAPMENT HAZARD: This bed can crush and kill when it moves. Using voice controls may increase this risk. Review emergency commands before activating voice controls.

THE PUCK VOICE ACTIVATED SYSTEM INSTALLATION

FOLLOW THE INSTALLATION STEPS BELOW TO SET UP THE PUCK VOICE ACTIVATED SYSTEM.

STEP 1

Please take a minute to familiarize yourself with the voice commands listed on the page 17.

STEP 2

Remove the Puck from the box.

STEP 3

Locate the Puck connector and connect it with the plug as shown in the picture.



STEP 4

The Puck Voice Control will arrive in the Off position and you will need to activate the Puck by selecting an invocation command of your preference.

Use the slider switch on the back side of the Puck to select the invocation phrase you wish to use, either **“HELLO DAWN”** or **“HELLO BED”**.

Note: If you have a split base, each side must have a different invocation phrase in order to work independently.



WAKE UP DEVICE

To use the Puck Voice Activated System, simply say the invocation command you chose during setup, either **“HELLO DAWN”** or **“HELLO BED”**, and wait 1-2 seconds for the microphone to activate. Once the microphone is activated, indicated by the blue light, it will be active for 8 seconds. While the microphone is active you can now use any of the voice commands listed below to control your adjustable base. If no command is heard within 8 seconds, the Puck will enter “sleep mode” and the microphone will be deactivated.

Proceed to the next page for list of voice commands.

THE PUCK VOICE COMMANDS

ONCE THE INVOCATION PHRASE HAS BEEN UTTERED, THE MICROPHONE WILL BE ACTIVE FOR 8 SECONDS WHICH IS INDICATED BY THE BLUE LIGHT. WHILE THE MICROPHONE IS ACTIVE YOU CAN NOW USE ANY OF THE COMMAND PHRASES LISTED BELOW TO CONTROL YOUR ADJUSTABLE BASE.

	VOICE COMMAND	EXPLANATION
Common Controls	GOOD-NIGHT	Flat bed
	RISE-AND-SHINE	Adjust the bed to preset position for Zero-G®
Actuator Controls	RAISE-HEAD	Head up 3s
	LOWER-HEAD	Head down 3s
	RAISE-FOOT	Foot up 3s
	LOWER-FOOT	Foot down 3s
	LIFT-BASE	Bed height rises 3s
	LOWER-BASE	Bed height lowers 3s
Presets	FLAT-PRESET	Flat bed
	ZERO-G®/ZERO-GRAVITY	Adjust the bed to preset position for Zero-G®
	SIT-UP	Adjust the bed to preset position for READ
	GETTING-IN	Adjust the bed to preset position for IN
	GETTING-OUT	Adjust the bed to preset position for OUT
Underbed Lights	TURN-ON-LIGHT	Turn on the bed lights
	TURN-OFF-LIGHT	Turn off the bed lights
Massage	TURN-ON-MASSAGE	Turn on the bed massage
	TURN-OFF-MASSAGE	Turn off the bed massage
	MASSAGE-UP	Increase massage intensity
	MASSAGE-DOWN	Reduce massage intensity

	VOICE COMMAND	EXPLANATION
 EMERGENCY COMMANDS	STOP	Stop all movement
	ALL-UP	Raise both the head & Foot 6 seconds

SYNCING TWO TWIN LONG BASES (OPTIONAL)

A SYNC CORD IS INCLUDED WITH THE BASE. NOT AVAILABLE ON QUEEN OR FULL SIZE BASES. THE SYNC CORD CONNECTS THE TWO CONTROL BOXES TO SYNCHRONIZE THE MOVEMENT OF THE TWO BASES. USE THIS FOR A KING SIZE MATTRESS ON TWO ADJACENT TWIN LONG BASES.

STEP 1

Unplug both bases from the power source.

STEP 2

Connect the Sync Cord to the same plug as the Puck Voice Control but on the opposite side. It is located near the motion detector.



STEP 3

Plug bases back into the power source. Ensure that all cords are securely attached.

The system is now linked. Pressing buttons on either remote will control both bases simultaneously.

PERFORMANCE NOTES

- If bases become mismatched, returning the bases to the flat or lowest position will re-sync the mechanical position.
- (Fig 1) The motion detector switch on both remotes needs to be in the same position for normal operation.

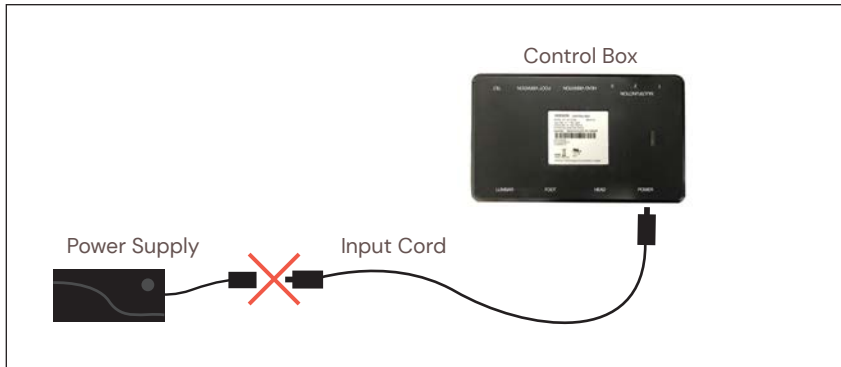


EMERGENCY BATTERY BACKUP STRAP

FOR EMERGENCY USE ONLY, IN CASE OF A POWER OUTAGE. BATTERIES ARE NOT TO BE USED FOR NORMAL OPERATION OF THE BED.

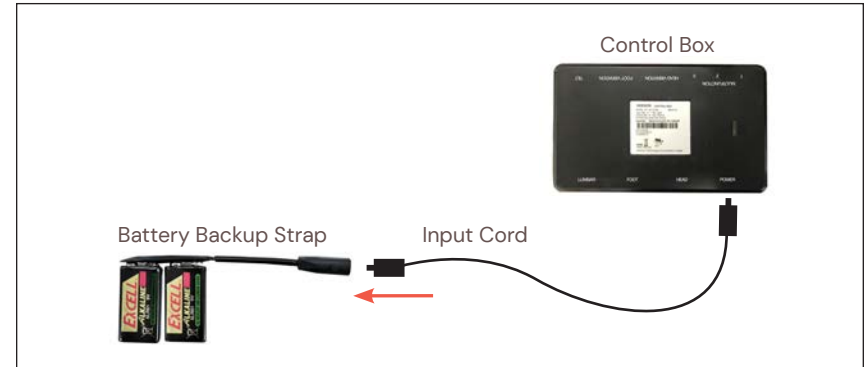
STEP 1

Manually lift the head section to access the power supply. Disconnect the Power Supply from the input cord that is connected to the control box.



STEP 3

Connect the end of the Battery Backup Strap to the input cord and then use the remote to return the base to a flat position.



STEP 2

Connect the Battery Backup Strap to the (2) Alkaline 9 Volt batteries. Do not mix brand name Batteries.



Note: Detach the Battery Backup Strap and reconnect the power supply after the emergency is over, as the system will continue to draw power from the batteries even if not in use.

TROUBLESHOOTING

IF ONE OR MORE FUNCTIONS ON THE BED BASE HAVE STOPPED OPERATING:

- Check under the bed base to verify that the wired connections are secure and that there are no cords or bedding obstructing the movement of the base.
- Check to ensure the green LED light is illuminated on the power supply. If there is no light, verify that the input and power cords are properly connected.
- Unplug the base for 1 minute to reset the electronic components.
- Plug bed base into a different electrical outlet or test current outlet with another working appliance (a grounded, electrical surge protector is recommended).
- Visit dawnhouseliving.com for additional resources and information.

If issue is not resolved by following the instructions above,
locate serial number on warranty card or back of remote and call

**DAWN HOUSE CUSTOMER SERVICE:
1-888-DAWNHSE (1-888-329-6473)**

CONSIGNES DE SÉCURITÉ ET D'UTILISATION

ATTENTION : REMARQUES IMPORTANTES RELATIVES À LA SÉCURITÉ
LISEZ LES INFORMATIONS SUIVANTES AVANT D'UTILISER CE PRODUIT. LE FAIT DE NE PAS UTILISER UN PARASURTENSEUR PEUT COMPROMETTRE LA SÉCURITÉ OU ENTRAÎNER UN DYSFONCTIONNEMENT DU PRODUIT ET ANNULER LA GARANTIE EN CE QUI CONCERNE LA PARTIE ÉLECTRIQUE.

POUR RÉDUIRE LES RISQUES D'ÉLECTROCUTION, DE BRÛLURE, D'INCENDIE OU DE BLESSURE :

Pour optimiser la sécurité et l'efficacité, branchez la base ajustable sur un parasurtenseur (non fourni). La base ajustable ne doit être branchée qu'à une prise murale ou à un parasurtenseur (fortement recommandé). Débranchez toujours la base ajustable de la prise électrique avant de procéder à l'entretien de toute pièce qu'elle comporte. Pour réduire le risque d'électrocution, débranchez la base ajustable avant de la nettoyer. Pour la déconnecter en toute sécurité, assurez-vous qu'elle est à plat avec tous les moteurs éteints et débranchez-la de la source d'alimentation. Tenez le cordon d'alimentation à l'écart des surfaces chaudes. Cessez d'utiliser la base ajustable et contactez un centre de dépannage qualifié si le cordon ou la fiche sont endommagés, s'ils ne fonctionnent pas correctement ou s'ils ont été immergés dans de l'eau. N'utilisez cette base ajustable que dans le cadre de l'utilisation prévue décrite dans ce manuel. N'utilisez pas d'accessoires non recommandés par le fabricant. Une surveillance constante est requise lorsque le lit ajustable est utilisé par ou près d'enfants, de convalescents, de personnes handicapées ou d'animaux domestiques. Une mauvaise connexion de l'équipement peut entraîner un risque de décharge électrique, d'incendie électrique ou un mauvais fonctionnement de ce lit. Si la fiche n'est pas adaptée à votre prise, contactez un électricien qualifié pour installer une prise adaptée. Toute modification non autorisée ou le fait de ne pas utiliser une prise murale ou un parasurtenseur peut annuler la garantie en ce qui concerne la partie électrique.

ENFANTS ET ANIMAUX DE COMPAGNIE :

Jetez immédiatement tous les matériaux d'emballage, car ils peuvent entraîner un risque d'étouffement pour les enfants en bas âge et les animaux domestiques. Pour éviter les blessures, il est déconseillé aux enfants et aux petits animaux de compagnie de jouer sur ou sous le lit. Les enfants ne doivent pas utiliser la base ajustable sans la surveillance d'un adulte.

FONCTIONS DE SÉCURITÉ :

Fonctionnement manuel – Si quelque chose se coince dans la plateforme lorsqu'elle est à plat, il est possible de la relever manuellement en la soulevant au

niveau de la tête ou du pied pour relâcher la pression et la décoincer.

Arrêt d'urgence – Interrompt les mouvements de la plateforme en appuyant sur n'importe quel bouton de la télécommande.

Coupure de courant – Utilisez la sangle pour piles de secours comme source d'alimentation temporaire pour amener le lit ajustable à la position souhaitée. Les instructions d'utilisation de la sangle pour piles de secours se trouvent sur la page décrivant cet accessoire.

Verrouillage pour enfants – Cette télécommande est programmée avec une fonction de sécurité de verrouillage pour enfants. Des informations sur l'activation et la désactivation de cette fonction se trouvent sur les pages Télécommande.

STIMULATEURS CARDIAQUES :

Certains produits contiennent des AIMANTS en néodyme qui peuvent interférer avec des appareils tels que les stimulateurs cardiaques, les DAI et tout autre appareil sensible aux champs magnétiques. Il est **FORTEMENT** recommandé aux utilisateurs de ces dispositifs médicaux de consulter leur médecin avant d'utiliser des produits qui contiennent des AIMANTS en néodyme. Il est également possible que certains stimulateurs cardiaques interprètent à tort les vibrations de la fonction de massage facultative comme un mouvement ou un exercice. Il s'agit d'une situation fréquente avec tout produit qui crée un mouvement vibrant et qui peut affecter un stimulateur cardiaque. Veuillez consulter votre médecin avant d'utiliser la fonction de massage.

UTILISATION À DOMICILE ET NORMES HOSPITALIÈRES :

Les bases ajustables Ergo sont conçues uniquement pour une utilisation à domicile. Ce lit ajustable n'a pas été conçu comme un lit d'hôpital et n'est pas destiné à répondre aux normes hospitalières. N'utilisez pas ce lit avec un équipement d'oxygénothérapie de TYPE TENTE ou à proximité de gaz explosifs.

FONCTIONS DE SÉCURITÉ SUPPLÉMENTAIRES :

Les roulettes (accessoire en option pour les pieds du lit) sont équipées de dispositifs de blocage pour éviter tout mouvement indésirable. Les roulettes peuvent glisser même lorsqu'elles sont verrouillées et qu'elles ne peuvent pas rouler. Les moteurs à dégagement libre au niveau de la tête et du pied de lit sont

CONSIGNES DE SÉCURITÉ ET D'UTILISATION

conçus pour abaisser le matelas en se rétractant uniquement par l'effet de la gravité, sans jamais tirer vers le bas, ce qui minimise les points de pincement.

MÉCANISMES DE LEVAGE/ABAISSÉMENT :

La fonction de levage/abaissement émet un bourdonnement minimal pendant le fonctionnement. Ce bruit est normal. Pendant le fonctionnement, les roulettes du bras de levage entrent en contact avec le support de la plateforme de la base ajustable. Ce contact peut entraîner un contact métal sur métal ou métal sur plastique. Ceci applique une légère tension sur les composants mobiles et la résonance est réduite à un niveau minimum. En cas de bruit ou de vibrations excessifs, inversez le mouvement (vers le haut ou vers le bas) de la base à l'aide de la télécommande. Cela devrait réaligner les mécanismes d'activation du lit ajustable sur la position opérationnelle appropriée. En fonctionnement normal, les roulettes, qui permettent au lit de maintenir sa distance par rapport au mur, entrent en contact avec les supports de plateforme en acier de la base ajustable et produisent alors un bruit. Lorsque vous entrez dans le lit, en sortez ou bougez dessus, ce bruit peut être audible lorsque les roulettes entrent en contact. Ce bruit est normal.

MATÉRIAUX :

Les lits ajustables Ergo sont fabriqués à partir de divers matériaux, dont différentes essences de bois, des métaux, des plastiques et des tissus. La tension, la pression ou le mouvement appliqué sur le châssis, la plateforme ou le cadre lors d'une utilisation normale peuvent générer un son audible.

FONCTION DE MASSAGE ET EMPLACEMENT DU LIT :

La fonction de massage émet un bruit pendant son fonctionnement. Ce bruit est normal. La tonalité s'intensifie au fur et à mesure que le niveau d'intensité du massage augmente. Le volume de ce bruit est directement lié à l'environnement où se trouve le lit.

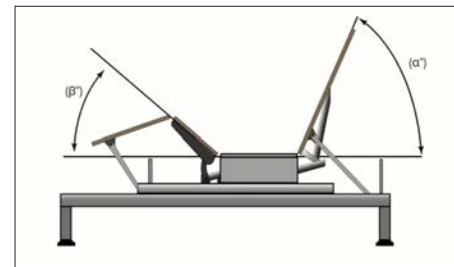
Par exemple, lorsqu'une démonstration du fonctionnement du lit s'effectue dans un magasin, le bruit environnant couvre une partie des sons produits par le massage. Cependant, si le lit est installé dans une maison avec du parquet, avec de la moquette ou non, le volume du massage sera plus perceptible. Pour réduire cette résonance, placez un morceau de tapis, ou des patins en caoutchouc, sous chaque pied ou roulette de la base ajustable. Il est possible de ressentir des vibrations ou du bruit provenant du cadre extérieur de la base ajustable, des supports de la tête de lit, de la tête de lit ou du pied de lit si les boulons de montage ne sont pas fermement serrés.

Les niveaux 1 à 3 d'intensité de massage représentent le nombre de tours du moteur par minute. Le niveau 3 indique le nombre maximum de tours par minute.

Cependant, cela ne signifie pas que la sensation de vibration sera la plus forte. La sensation de vibrations sera différente en fonction du matériau du matelas, de l'épaisseur et du positionnement de l'utilisateur. Nous recommandons à l'utilisateur de déterminer le réglage d'intensité de massage qui lui convient le mieux. Il est important de comprendre la physique des vibrations. Tout comme un moteur peut tourner irrégulièrement au ralenti, les vibrations changent dès que le régime augmente.

TOLÉRANCE :

Toutes les bases ajustables Ergo, en fonction de la marque et du modèle, sont conçues et fabriquées pour fonctionner dans les limites des paramètres de contrôle qualité désignés. Les bases font l'objet d'inspections méticuleuses et rigoureuses au cours du processus de contrôle de la qualité afin de s'assurer qu'elles fonctionneront dans le respect de ces normes pendant une utilisation normale. Une utilisation normale est définie comme suit : Le lit ajustable doit être utilisé avec un matelas et une charge. Les procédures de test font appel à des tests de cycle de vie avec une charge distribuée atteignant 120 kg (264 lb). L'angle (désigné par un « α » dans l'image) entre la section arrière et la section plate pour les différentes configurations de la plateforme de support du matelas doit être de $\pm 3^\circ$, ce qui se traduit par une tolérance de 1,5 po (3,7 cm) maximum. L'angle (désigné par un « β » dans l'image) entre la section plate et la section du pied de lit pour différentes configurations de la plateforme de support du matelas doit être de $\pm 3^\circ$, ce qui se traduit par une tolérance atteignant $\frac{3}{4}$ po (1,9 cm). Toute base ajustable jugée conforme à ces limites de tolérance est considérée comme ayant satisfait aux normes de contrôle qualité du fabricant.



L'ODEUR DE « NOUVEAU PRODUIT » :

Certaines personnes remarquent une légère odeur se dégageant de leur nouvelle base ajustable, ce qui peut provenir de notre processus de fabrication et des matériaux employés. Cette odeur est normale et disparaît généralement avant que le produit ne vous soit livré. Parfois, cependant, cette odeur peut encore être perceptible. Elle disparaît généralement après quelques semaines, sous réserve qu'il y ait une ventilation adéquate du produit et de l'environnement.

CONSIGNES DE SÉCURITÉ ET D'UTILISATION

PÉRIODE DE RODAGE :

Vous pouvez accélérer la période de rodage en passant simplement du temps dans le lit ajustable en lisant, en regardant la télévision ou en jouant avec vos enfants ou petits-enfants. Ces mouvements supplémentaires aideront la base ajustable à répondre aux changements de poids et de température. Certains des matériaux de nos lits ajustables, tels que les essences de bois, les métaux et les plastiques utilisés dans la plateforme, le cadre et les composantes, sont sensibles à l'humidité et à la température et peuvent produire des sons dans des environnements plus froids.

FONCTIONNEMENT COUPLÉ :

Lors de l'utilisation de lits ajustables synchronisés, il peut y avoir un intervalle allant jusqu'à 1,5 secondes entre les mouvements de chaque lit.

USURE :

L'usure correspond au dommage qui se produit naturellement et inévitablement à la suite d'une utilisation normale ou du vieillissement du lit ajustable.

ENTRETIEN DU TISSU :

Protégez le tissu de la lumière directe du soleil chaque fois que c'est possible afin d'en prolonger la durée de vie. Pour le nettoyage des taches, essuyez la zone avec une éponge légèrement humide ou passez un aspirateur avec une brosse douce pour éliminer les particules. Maintenez les parties en tissu au moins à 12 pouces (30 cm) de sources de chaleur directes. Pour un nettoyage plus en profondeur, épongez les liquides avec un chiffon propre et sec. Essuyez avec un chiffon propre imbibé d'eau tiède. Ne pas mouiller excessivement. Une brosse à poils doux peut être utilisée pour enlever la saleté incrustée. Évitez de rayer la surface en brossant délicatement. Essuyez avec un chiffon propre humidifié avec de l'eau tiède pour éliminer les résidus. Séchez à l'ombre loin d'une source directe de chaleur. Consultez un professionnel si des marques persistantes restent visibles après le nettoyage.

CLASSIFICATION DU PRODUIT :

Les moteurs de levage ne sont pas conçus pour fonctionner en continu pendant plus de [2] minutes sur une période de [18] minutes ou environ 10 % du cycle de fonctionnement. Tenter de contourner ou dépasser cette valeur peut réduire la durée de vie du produit et annuler la garantie. Les moteurs de relaxation ne sont pas conçus pour fonctionner en continu pendant plus de 30 minutes à la fois. Veuillez laisser le système de relaxation inactif pendant 30 minutes après son arrêt automatique avant de le redémarrer.

LIMITES DE POIDS :

Ce produit n'est pas conçu pour supporter des poids de plus de 750 lb (340 kg). Ces limites comprennent le poids du matelas et de la literie. Le lit ajustable soutiendra structurellement ce poids, à condition qu'il soit uniformément réparti sur toute sa surface. Le lit ajustable n'est pas conçu pour supporter ou soulever de tels poids au niveau de la tête ou du pied de lit. Le dépassement de cette limite de poids annulerait la garantie, pourrait endommager le lit et/ou causer des blessures.

CONSERVEZ CES INSTRUCTIONS.

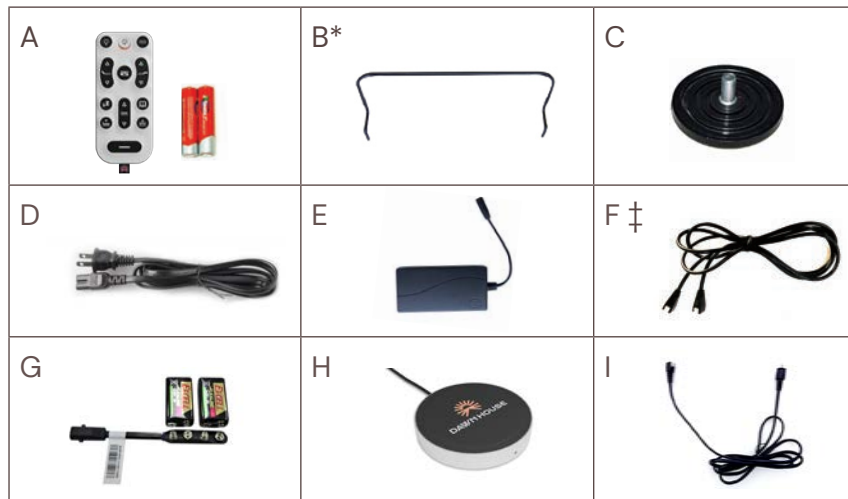
CONFORMITÉ FCC :

REMARQUE : Cet équipement a été testé et déterminé comme se conformant aux limites des appareils numériques de Classe B, conformément à la partie 15 des règles de la FCC. Ces limites sont conçues pour fournir une protection raisonnable contre les interférences nuisibles dans un milieu résidentiel. Cet équipement génère, utilise et peut émettre de l'énergie par radiofréquence et, s'il n'est pas installé et utilisé conformément aux instructions, peut provoquer des interférences nuisibles aux communications radio. Toutefois, il n'existe aucune garantie que des interférences ne se produiront pas dans un contexte particulier. Si cet équipement provoque des interférences nuisibles à la réception radio ou de télévision, ce qui peut être déterminé en allumant et en éteignant l'équipement, l'utilisateur est encouragé à essayer de corriger les interférences en utilisant une ou plusieurs des méthodes suivantes :

- Réorienter ou déplacer l'antenne de réception.
- Augmenter la distance entre l'équipement et le récepteur.
- Brancher l'équipement sur une prise relevant d'un circuit différent de celui sur lequel le récepteur est connecté.
- Contacter le revendeur ou un technicien radio/télé expérimenté pour obtenir de l'aide.

LISTE DES PIÈCES

ASSUREZ-VOUS QUE TOUTES LES PIÈCES SONT PRÉSENTES AVANT DE JETER LES MATÉRIAUX D'EMBALLAGE. TOUTES LES COMPOSANTES ÉLECTRONIQUES ET LES ÉLÉMENTS QUI DOIVENT ÊTRE INSTALLÉS SONT PLACÉS DANS DES BOÎTES SOUS LE LIT AJUSTABLE OU FIXÉS AU CADRE.



- A. Télécommande sans fil et piles AAA (2)
- B. Barre de retenue du matelas*
- C. Patins (4)
- D. Cordon d'alimentation
- E. Bloc d'alimentation
- F. Cordon de synchronisation ‡
- G. Sangle pour piles de secours (2) Piles 9 V (non incluses)
- H. Système de rondelle à commande vocale
- I. Cordon d'entrée

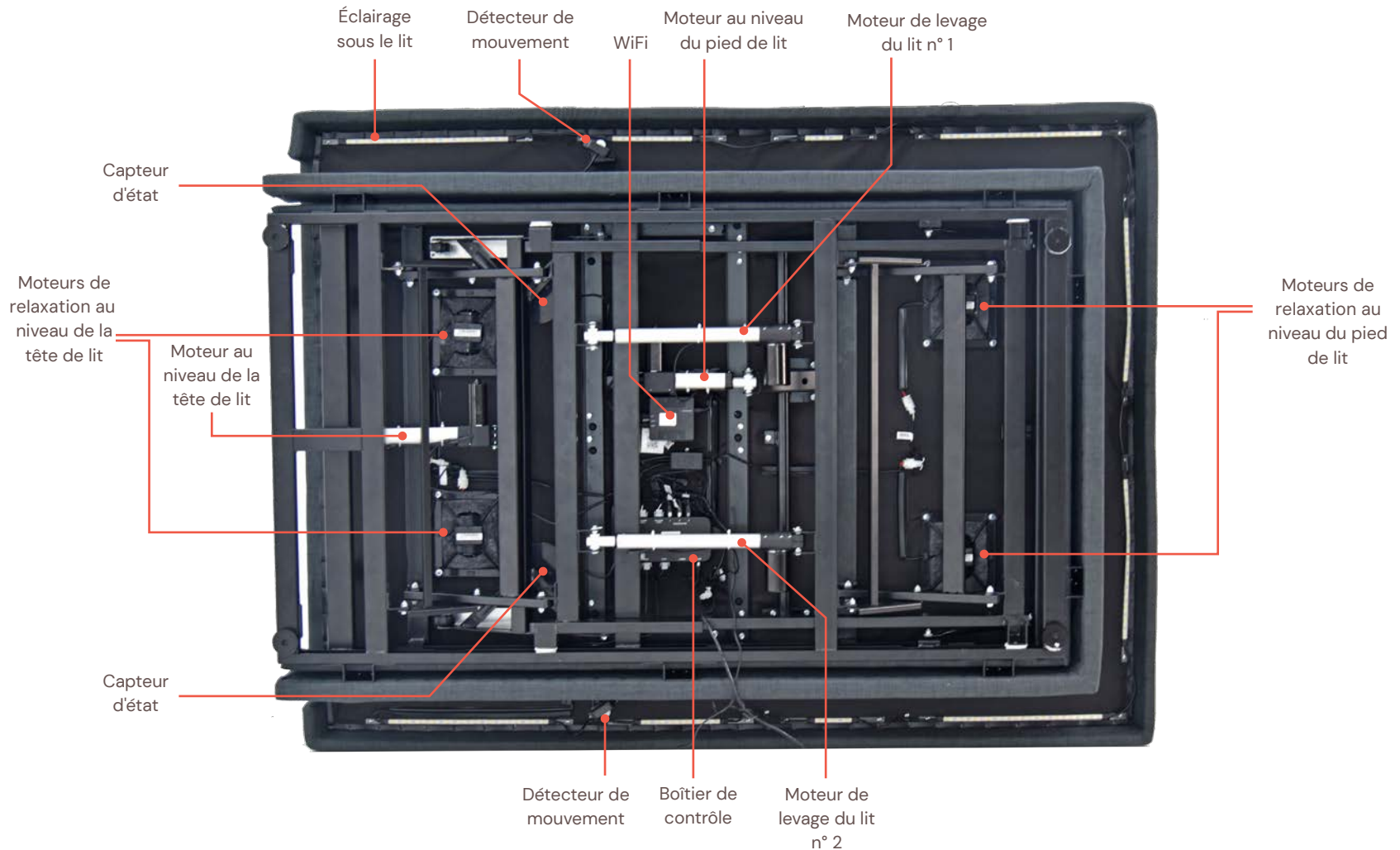
PIÈCE DIVERSE RECOMMANDÉE (NON INCLUSE) :

Parasurtenseur

* Ces pièces sont fixées au lit ajustable pour l'expédition. Retirez-les avec précaution du lit et mettez-les de côté.

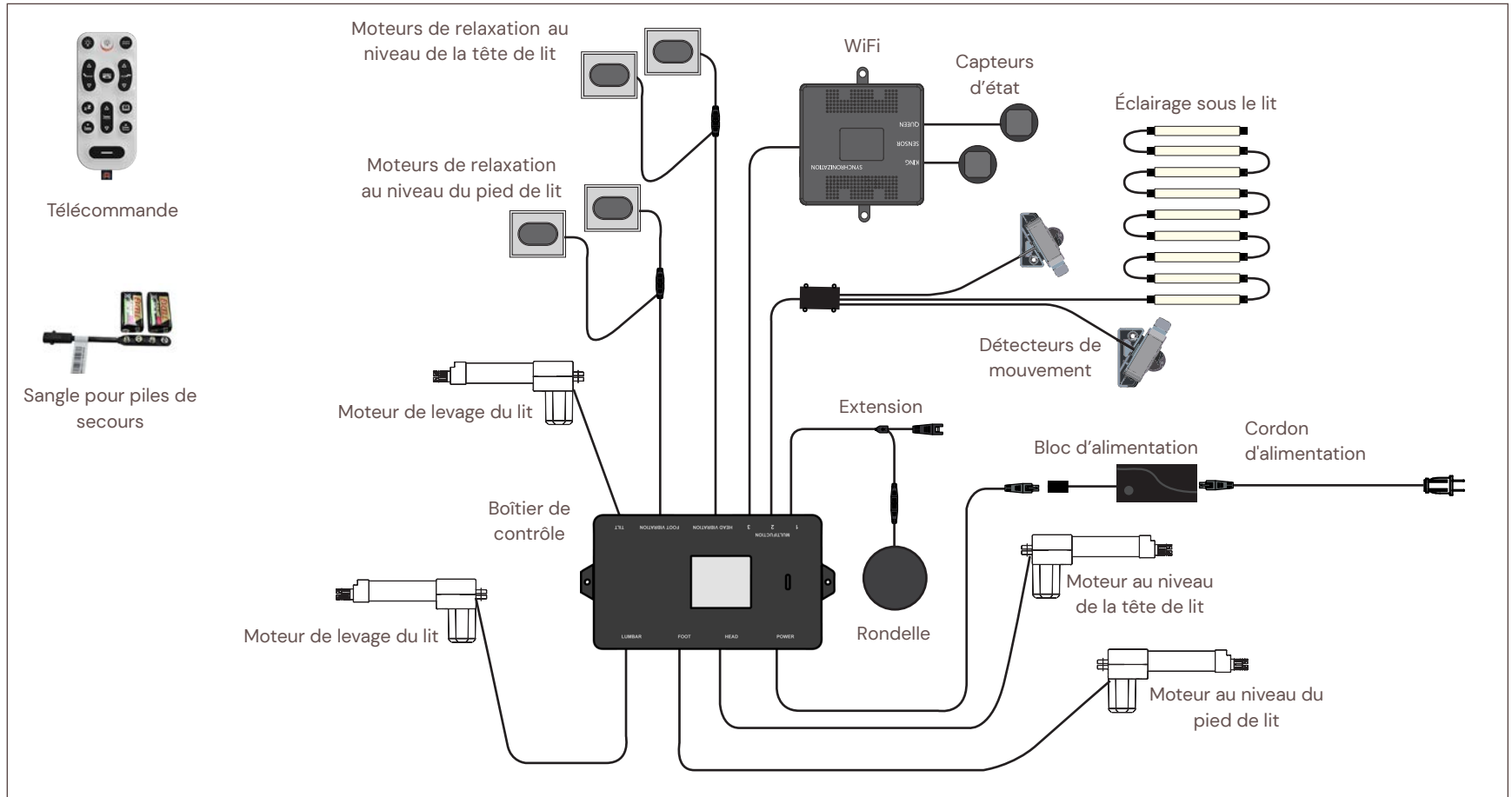
‡ Uniquement inclus pour les lits ajustables Simple XL et King californien séparé.

PRÉSENTATION DE LA BASE AJUSTABLE



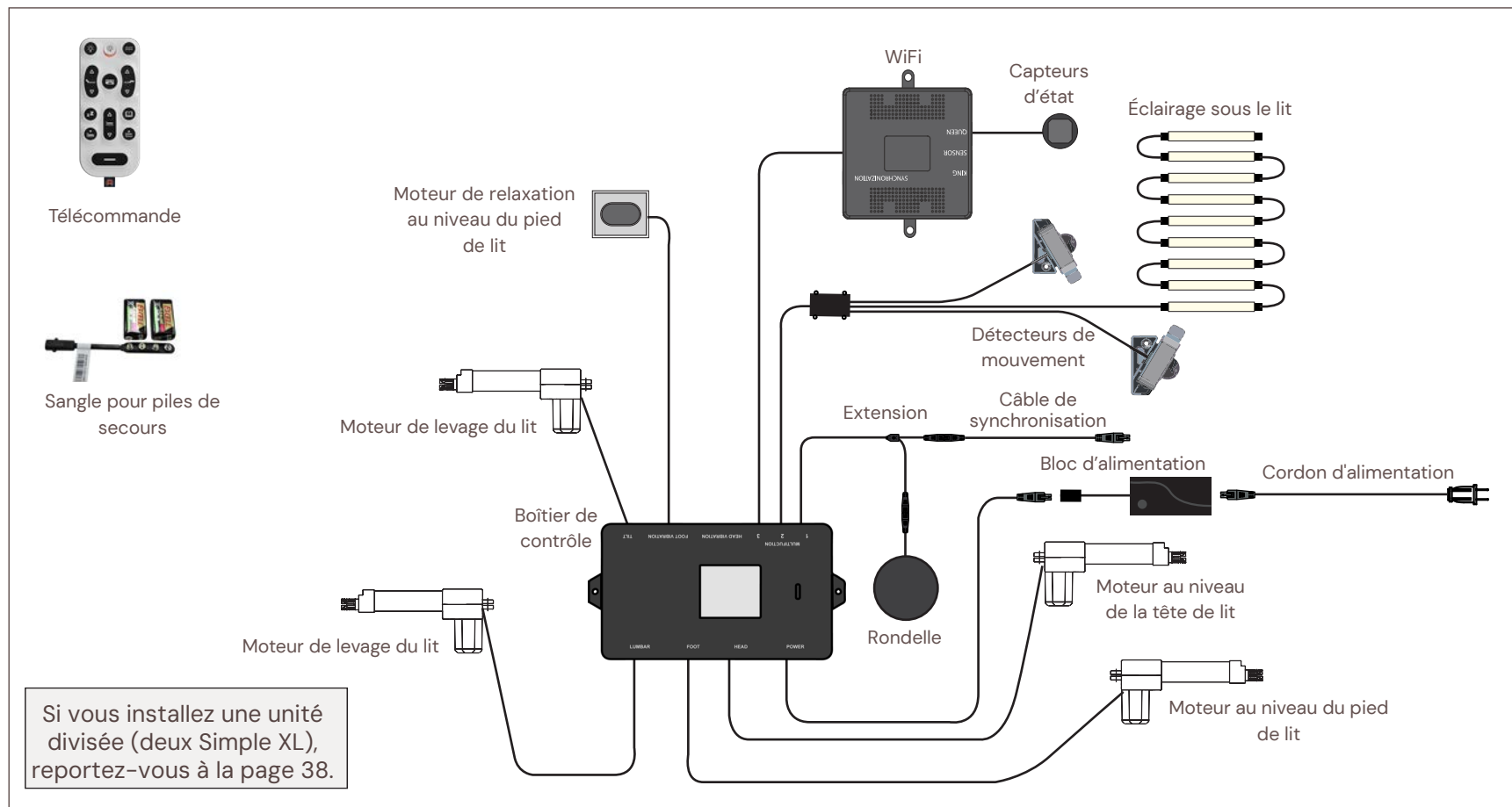
VUE D'ENSEMBLE DU CIRCUIT ÉLECTRONIQUE - QUEEN

PAS À L'ÉCHELLE. À DES FINS D'ILLUSTRATION SEULEMENT. LISEZ TOUTES LES INSTRUCTIONS AVANT DE COMMENCER L'INSTALLATION.



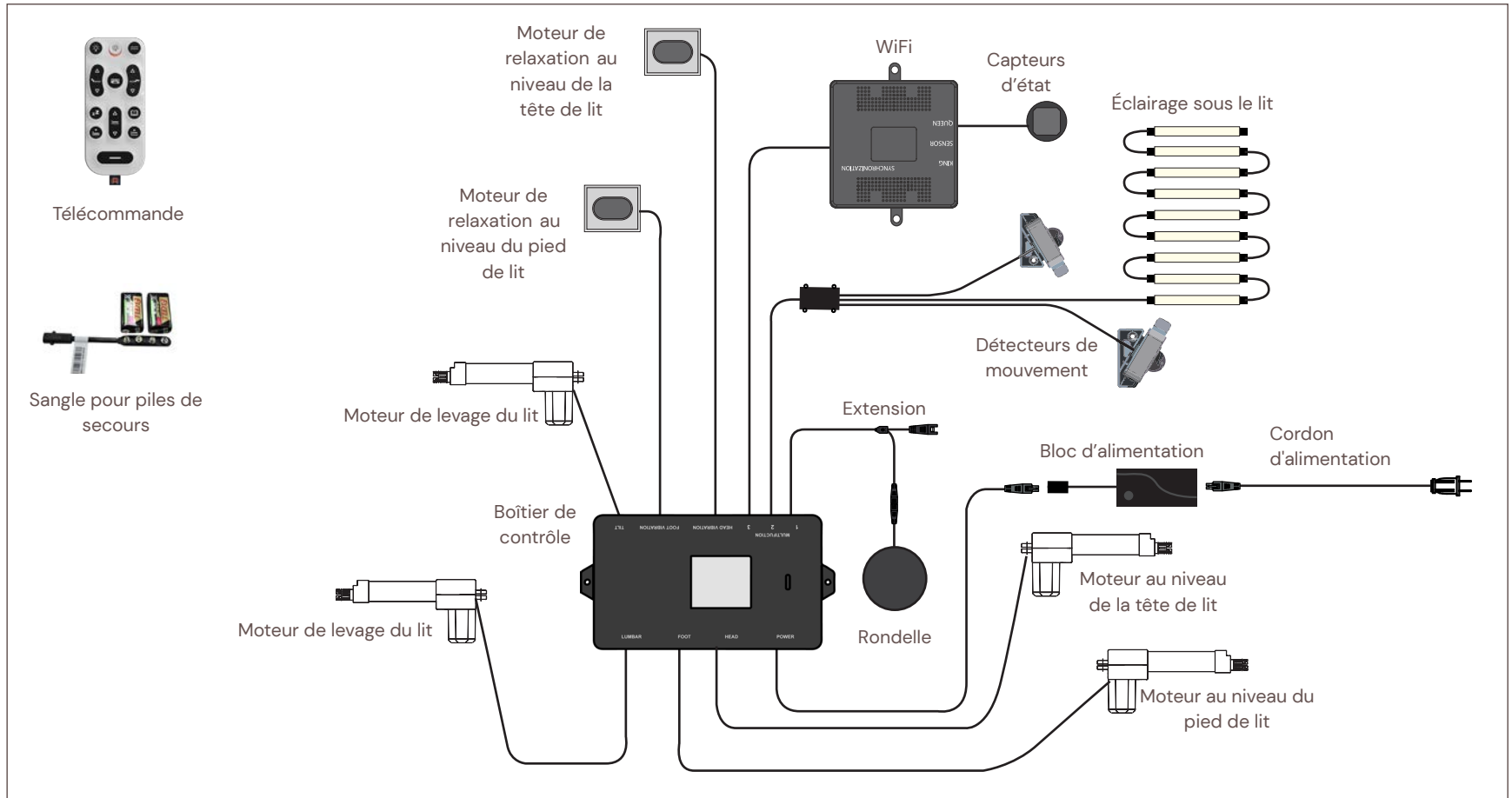
VUE D'ENSEMBLE DU CIRCUIT ÉLECTRONIQUE - SIMPLE XL

PAS À L'ÉCHELLE. À DES FINS D'ILLUSTRATION SEULEMENT. LISEZ TOUTES LES INSTRUCTIONS AVANT DE COMMENCER L'INSTALLATION.



VUE D'ENSEMBLE DU CIRCUIT ÉLECTRONIQUE - DOUBLE

PAS À L'ÉCHELLE. À DES FINS D'ILLUSTRATION SEULEMENT. LISEZ TOUTES LES INSTRUCTIONS AVANT DE COMMENCER L'INSTALLATION.



GUIDE D'INSTALLATION

FAITES TOUJOURS APPEL À DEUX PERSONNES POUR INSTALLER LE LIT AJUSTABLE.

ÉTAPE 1

Avec l'aide d'un assistant en bonne condition physique, placez la boîte sur le sol à l'emplacement souhaité, avec la partie inférieure tournée vers le haut. Retirez tout le ruban adhésif et les sangles de fixation, en veillant à ne pas percer la boîte avec des objets tranchants.

ÉTAPE 2

Ouvrez la boîte et retirez le sac en plastique. Coupez les attaches autobloquantes et mettez de côté tous les accessoires et composants électroniques. Assurez-vous que tous les éléments de la liste des pièces de la page 24 sont mis de côté avant de passer à l'étape 3.

ÉTAPE 3

Vissez les patins sur les quatre coins du cadre.



ÉTAPE 4

À l'aide d'une autre personne, basculez délicatement le lit en position verticale et déplacez-le à l'emplacement souhaité.

ÉTAPE 5

Pour installer la barre de retenue du matelas, insérez chacune de ses extrémités dans les trous en bas de la base ajustable. Faites pivoter la barre de sorte qu'elle repose sur le bord du sommier.



ÉTAPE 6

Branchez le chargeur de la rondelle sans fil avec l'extension située sous le lit, au niveau de la tête. Reportez-vous aux pages 35 à 37 pour plus d'informations.



GUIDE D'INSTALLATION (SUITE)

ÉTAPE 7

Repérez le cordon d'entrée sous la base ajustable et branchez-le sur le bloc d'alimentation.



ÉTAPE 8

Raccordez le cordon d'alimentation au bloc d'alimentation.



ÉTAPE 9

Branchez le cordon d'alimentation à une source électrique. **Un parasurtenseur est recommandé.**



ÉTAPE 10

Installez les piles de la télécommande et testez toutes les fonctions pour vérifier que la configuration est correcte avant de placer le matelas sur la base. Repositionnez la base ajustable à plat avant de placer le matelas dessus.

ÉTAPE 11 *optionnel : pour les commandes de matelas Dawn House uniquement*

Si vous avez reçu un matelas Dawn House avec votre commande, retirez-le de son carton et déroulez-le. Découpez soigneusement l'emballage scellé sous vide et placez le matelas sur la base ajustable.

ÉTAPE 12

1. Assurez-vous d'avoir accès à votre mot de passe Wi-Fi domestique. Vous en aurez besoin pour configurer votre application Dawn House.
2. Vous aurez peut-être besoin du mot de passe de votre compte iPhone ou Android si vous n'avez pas téléchargé d'application sur votre téléphone récemment.
3. Pour utiliser la télécommande intégrée à l'application et afficher vos rapports de sommeil et de santé, téléchargez l'application Dawn House depuis l'App Store (Apple) ou Google PlayStore (Android) et suivez les instructions de l'application pour connecter votre base à votre téléphone.
4. Après avoir accordé toutes les autorisations dans l'application, recherchez le message "Recherche de votre lit..." sur l'écran de l'application. Si vous configurez un King séparé, vous devez configurer un côté à la fois. Allumez le premier côté uniquement, coupez-le au lit, puis allumez l'autre côté pour le coupler avec l'autre appareil mobile. Si vous avez allumé les deux côtés, assurez-vous d'éteindre un côté et suivez les instructions ci-dessus.
5. Si vous êtes invité à scanner le code QR, soulevez la section de tête et localisez le code sur le cadre. Voir l'image (à droite).



- ▶ Pour assembler la tête de lit Dawn House, passez à la page suivante pour obtenir les instructions d'installation.
- ▶ Pour obtenir des instructions concernant l'utilisation de votre propre cadre de lit, reportez-vous à la page 32.
- ▶ Si vous n'installez pas de tête de lit ou si la base ajustable n'est pas placée dans un cadre de lit, l'installation est terminée.

INSTALLATION DE LA TÊTE DE LIT DAWN HOUSE

SUIVEZ LES ÉTAPES CI-DESSOUS POUR INSTALLER VOTRE TÊTE DE LIT DAWN HOUSE.

ÉTAPE 1

Avec l'aide d'un assistant en bonne condition physique, placez le carton de la tête de lit sur le sol à l'emplacement souhaité. Retirez tout le ruban adhésif et les sangles de fixation, en veillant à ne pas percer la boîte avec des objets tranchants.

ÉTAPE 2

Ouvrez la boîte et retirez le sac en plastique. Localisez et mettez de côté tout matériel de fixation.

ÉTAPE 3

Utilisez la télécommande pour relever complètement la tête du lit ajustable. Débranchez le cordon d'alimentation de la source d'alimentation.

ÉTAPE 4

Alignez la tête de lit avec les points de montage de la tête de lit sur le cadre.



ÉTAPE 5

Fixez la tête de lit au lit ajustable à l'aide des vis fournies. (Au moins deux vis sont nécessaires par point de montage.)



ÉTAPE 6

Faites passer le cordon d'alimentation dans le trou de la tête de lit et branchez-le à la source d'alimentation.



PLACER LE LIT DANS VOTRE PROPRE CADRE DE LIT

SI VOUS POSSÉDEZ UNE TÊTE DE LIT, UN SUPPORT UNIVERSEL PEUT ÊTRE UTILISÉ POUR LE MONTER EN TOUTE SÉCURITÉ SUR LA BASE AJUSTABLE. SI VOUS POSSÉDEZ DÉJÀ UN CADRE DE LIT, NOTRE LIT PEUT ÊTRE COMPATIBLE. CEPENDANT, CERTAINES FONCTIONS CLÉS PEUVENT ÊTRE INCOMPATIBLES.

AVERTISSEMENT : Placer le lit Dawn House à l'intérieur d'un cadre de lit existant peut provoquer des points de pincement et des risques d'écrasement. Veuillez bien tenir compte des risques avant d'utiliser votre propre cadre de lit.

EXCEPTIONS:

- Notre lit ne doit pas être placé sur les lattes ou les ressorts d'un sommier.
- Notre lit peut nécessiter des pieds (vendus séparément) pour être compatible avec certains cadres de lit.*
- L'éclairage sous le lit et l'éclairage activé par mouvements seront entravés par des cadres de lits tiers.
- La poignée de support (vendue séparément) n'est pas compatible avec des cadres de lits tiers.

* Si votre cadre de lit est plus grand que le lit Dawn House, des pieds de 7,5 cm de haut sont disponibles (vendus séparément). Visitez Dawnhouseliving.com pour les acheter.

MESURES : Les dimensions internes les plus petites du cadre de lit (avec le support de matelas retiré) ne doivent pas être inférieures à :

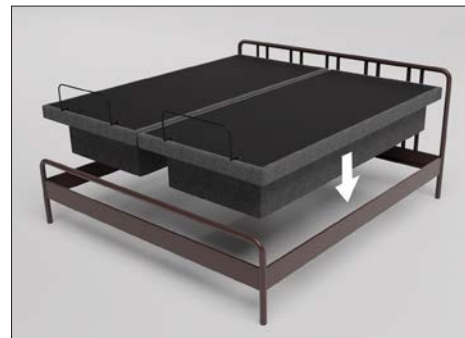
- Simple XL – 95 x 206 cm
- Double – 135 x 191 cm
- Queen – 150 x 206 cm
- King/King séparé – 191 x 206 cm

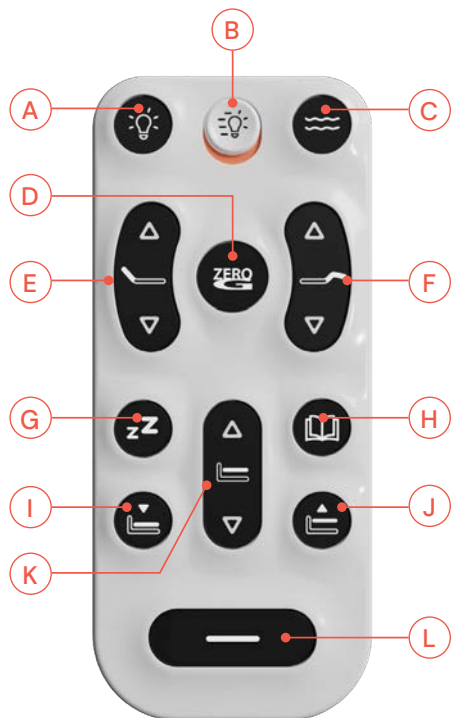
Conseil de mesure : Si votre matelas existant reposera sur le sol à l'intérieur de votre cadre de lit actuel, alors il devrait y avoir également suffisamment d'espace pour le lit Dawn House.

PLACER LE LIT DANS VOTRE PROPRE CADRE DE LIT

Le lit Dawn House est légèrement plus étroit que la taille standard des cadres de lit et est compatible avec la plupart des cadres de lit existants.

Le lit est conçu pour reposer sur le sol, ce qui nécessitera le retrait des ressorts ou des lattes de votre cadre actuel.





FONCTIONS DES BOUTONS

- A. Éclairage : Allumer/éteindre l'éclairage sous le lit.
- B. Interrupteur du détecteur de mouvement : Éclairage sous le lit activé par des mouvements : Marche (haut)/Arrêt (bas)
Remarque : Appuyez sur le bouton position à plat pour confirmer la sélection.
- C. Détente : Cycle de massage (Faible > Moyen > Élevé > Désactivé)
Au bout de 10 minutes, la minuterie de la fonction de massage s'éteint automatiquement.
- D. Zero-G® : Position prédéfinie qui place vos jambes à un niveau plus élevé que votre cœur, ce qui permet de soulager la pression dans le bas du dos et de favoriser la circulation.
- E. Articulation de la tête de lit : Permet de relever et d'abaisser la tête de lit de la base ajustable.
- F. Articulation du pied de lit : Permet de relever et d'abaisser le pied de lit de la base ajustable.
- G. *Anti-ronflement : Position prédéfinie programmable qui soulève légèrement la tête de lit pour aider à réduire le ronflement.
- H. *Lecture : Position prédéfinie programmable idéale pour lire un livre ou regarder la télévision.
- I. **Basse : Position prédéfinie programmable qui modifie la hauteur du lit.
- J. **Élevée : Position prédéfinie programmable qui modifie la hauteur du lit.
- K. Lit : Permet de monter ou descendre la hauteur du lit.
- L. À plat : Replace le lit en position à plat.

***POUR PROGRAMMER UN NOUVEAU PRÉRÉGLAGE DE POSITIONNEMENT TÊTE/PIED :** Ajustez la tête et le pied de la base ajustable dans la position souhaitée. Appuyez sur l'un des boutons de préréglage (Anti-ronflement, Lecture) et maintenez-le enfoncé pendant 7 secondes. La position est maintenant enregistrée.

**** POUR PROGRAMMER UN NOUVEAU PRÉRÉGLAGE DE LA HAUTEUR DU LIT :** Montez ou descendez le lit à la hauteur souhaitée. Appuyez sur l'un des boutons de préréglage (Basse, Élevée) et maintenez-le enfoncé pendant 7 secondes. La position est maintenant enregistrée.

REMARQUE : Pour rétablir les paramètres d'usine d'origine des boutons de préréglage, maintenez les touches À PLAT et ZERO-G® enfoncées simultanément pendant au moins 5 secondes. Les préréglages d'origine seront restaurés.

Téléchargez l'application Dawn House pour suivre un didacticiel intégré à l'application qui vous expliquera comment utiliser la télécommande.

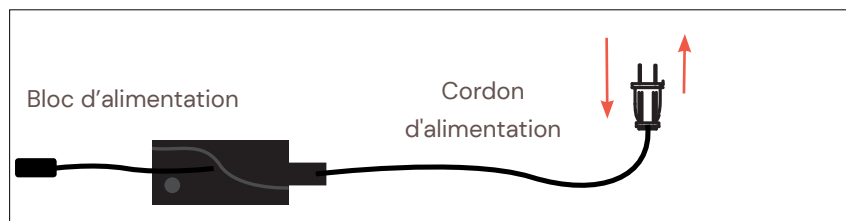
TÉLÉCOMMANDE

COUPLAGE DE LA TÉLÉCOMMANDE :

La télécommande fournie est déjà synchronisée avec la base ajustable. Aucune action supplémentaire n'est requise. Suivez les étapes ci-dessous si la télécommande n'est pas synchronisée à la base.

ÉTAPE 1

Débranchez le lit ajustable de sa source d'alimentation. Patientez 10 secondes, puis rebranchez-le.



ÉTAPE 2

Retirez le couvercle du compartiment des piles qui se trouve sous la télécommande. Appuyez sur le bouton de SYNCHRONISATION et maintenez-le enfoncé pendant environ 5 secondes jusqu'à ce qu'il cesse de clignoter. Une fois qu'il cesse de clignoter, la télécommande a bien été synchronisée.



ÉTAPE 3

Testez toutes les fonctions à distance. Si les boutons de la télécommande ne font pas bouger le lit, répétez la procédure ou appelez le service à la clientèle de Dawn House : 1-888-DAWNHSE (1-888-329-6473)

LE VERROUILLAGE PARENTAL :

L'activation du verrouillage de sécurité pour enfants désactivera les fonctions de la télécommande pour empêcher toute utilisation indésirable ou accidentelle de votre base ajustable. Pour reprendre l'utilisation de votre base ajustable, vous devez désactiver la sécurité enfants.

ACTIVER LE VERROUILLAGE PARENTAL

Enfoncez les boutons de TÊTE LEVÉE et À PLAT pendant 3 secondes. Le voyant à DEL clignotera deux fois. La télécommande est maintenant verrouillée.



DÉSACTIVER LE VERROUILLAGE PARENTAL

Enfoncez les boutons de PIED LEVÉ et À PLAT pendant 3 secondes. Le voyant à DEL clignotera deux fois. La télécommande fonctionnera maintenant normalement.



VUE D'ENSEMBLE DU SYSTÈME DE RONDELLE À COMMANDE VOCALE

VEUILLEZ VOUS FAMILIARISER AVEC TOUTES LES CONSIGNES DE SÉCURITÉ AVANT DE CONFIGURER LE SYSTÈME DE RONDELLE À COMMANDE VOCALE.

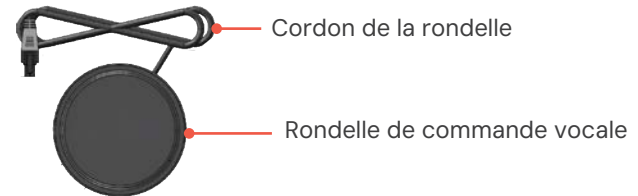
ATTENTION : Votre base ajustable peut présenter un risque d'écrasement accru si vous avez des enfants en bas âge ou des animaux domestiques. L'utilisation des commandes vocales augmente davantage ce risque en raison du risque de déclenchement involontaire d'une commande vocale. Les commandes vocales peuvent être déclenchées par vous-même, un enfant en bas âge, un téléviseur, un programme radio, etc. En utilisant ce produit, vous vous engagez à lire les instructions liées aux commandes, y compris les commandes d'urgence, et acceptez le risque accru d'écrasement associé à l'utilisation des commandes vocales.

Si vous acceptez ce qui précède, veuillez lire les instructions des pages suivantes pour savoir comment configurer la rondelle. Cependant, si vous avez des questions concernant l'utilisation des commandes vocales, veuillez contacter le service à la clientèle avant d'activer la rondelle.

CHARGEUR SANS FIL

- **Intro :** Cet appareil dispose d'une fonction de charge sans fil. La puissance de charge maximale est de 10 W. Placez le dispositif à charger au centre du chargeur sans fil. En fonctionnement normal, le voyant vert indique que la charge se déroule.
- **Protection contre la surchauffe :** Dans un environnement à température élevée, lorsque la température interne du produit atteint 70°C, le chargeur sans fil passe en mode protection et le produit désactive la fonction de charge sans fil. Lorsque la température interne descend en dessous de 50°C, la fonction de charge reprendra.
- **Détection des dispositifs incompatibles :** Si un dispositif incompatible est placé sur le chargeur, le voyant rouge indiquera qu'il doit être retiré.

VUE D'ENSEMBLE



INFORMATIONS SUR LA SÉCURITÉ

Si vous souhaitez arrêter d'utiliser les commandes vocales, vous pouvez éteindre l'appareil en déplaçant le curseur de la rondelle sur la position centrale « OFF ». Votre lit ajustable peut présenter un risque d'écrasement accru si vous avez des enfants en bas âge ou des animaux domestiques. L'utilisation des commandes vocales augmente ce risque en raison de la possibilité d'un déclenchement accidentel d'une commande vocale. Les commandes vocales peuvent être déclenchées par un enfant en bas âge, un téléviseur, un programme radio, etc. Veuillez lire la section « Commandes d'urgence » afin de vous familiariser avec ces commandes en cas de risque immédiat.

RISQUE D'ÉCRASEMENT : Ce lit présente un risque d'écrasement pouvant entraîner la mort lorsqu'il est en mouvement. L'utilisation des commandes vocales peut augmenter ce risque. Passez en revue les commandes d'urgence avant d'activer les commandes vocales.

INSTALLATION DU SYSTÈME DE RONDELLE À COMMANDE VOCALE

SUIVEZ LES ÉTAPES D'INSTALLATION CI-DESSOUS POUR CONFIGURER LE SYSTÈME DE RONDELLE À COMMANDES VOCALES.

ÉTAPE 1

Prenez quelques minutes pour vous familiariser avec les commandes vocales indiquées à la page 37.

ÉTAPE 2

Retirez la rondelle de la boîte.

ÉTAPE 3

Localisez le connecteur pour la rondelle et branchez la fiche dessus comme indiqué dans l'illustration.



ÉTAPE 4

Le système de rondelle à commande vocale est fourni en position d'arrêt. Vous devez l'activer en sélectionnant une phrase d'activation de votre choix.

Utilisez le commutateur à l'arrière de la rondelle pour sélectionner la phrase d'activation que vous souhaitez utiliser : « **HELLO DAWN** » ou « **HELLO BED** ».



Remarque : Si vous avez un lit ajustable constitué de deux parties, chacune d'elles doit être associée à une phrase d'activation différente pour fonctionner indépendamment.

ACTIVER LA RONDELLE

Pour utiliser le système de rondelle à commande vocale, prononcez simplement la phrase d'activation que vous avez choisie pendant la configuration, « **HELLO DAWN** » ou « **HELLO BED** », puis attendez 1 à 2 secondes pour que le microphone s'active. Une fois le microphone activé (un voyant bleu s'allume alors), il reste actif pendant 8 secondes. Lorsque le microphone est actif, vous pouvez désormais utiliser l'une des commandes vocales répertoriées ci-dessous pour contrôler votre lit ajustable. Si aucune commande n'est entendue dans les 8 secondes, la rondelle passe en mode veille et le microphone est désactivé.

Passez à la page suivante pour obtenir la liste des commandes vocales.

COMMANDES VOCALES DE LA RONDELLE

UNE FOIS LA PHRASE D'ACTIVATION PRONONCÉE, LE MICROPHONE RESTE ACTIF PENDANT 8 SECONDES, CE QUI EST INDIQUÉ PAR LE VOYANT BLEU. LORSQUE LE MICROPHONE EST ACTIF, VOUS POUVEZ UTILISER L'UNE DES PHRASES DE COMMANDE RÉPERTORIÉES CI-DESSOUS POUR CONTRÔLER VOTRE LIT AJUSTABLE.

	COMMANDE VOCALE	EXPLICATION
Commandes ordinaires	GOOD-NIGHT	Mettre le lit à plat
	RISE-AND-SHINE	Régler le lit à la position prédéfinie pour Zero-G®
Commandes de l'actionneur	RAISE-HEAD	Relever la tête de lit, 3 s
	LOWER-HEAD	Abaisser la tête de lit, 3 s
	RAISE-FOOT	Relever le pied de lit, 3 s
	LOWER-FOOT	Abaisser le pied de lit, 3 s
	LIFT-BASE	Augmenter la hauteur du lit, 3 s
	LOWER-BASE	Abaisser la hauteur du lit, 3 s
Préréglages	FLAT-PRESET	Mettre le lit à plat
	ZERO-G®/ZERO-GRAVITY	Régler le lit à la position prédéfinie pour Zero-G®
	SIT-UP	Régler le lit à la position prédéfinie pour lire
	GETTING-IN	Régler le lit à la position prédéfinie pour y entrer
	GETTING-OUT	Régler le lit à la position prédéfinie pour en sortir
Éclairage sous le lit	TURN-ON-LIGHT	Allumer l'éclairage du lit
	TURN-OFF-LIGHT	Éteindre l'éclairage du lit
Massage	TURN-ON-MASSAGE	Activer la fonction de massage du lit
	TURN-OFF-MASSAGE	Désactiver la fonction de massage du lit
	MASSAGE-UP	Augmenter l'intensité du massage
	MASSAGE-DOWN	Réduire l'intensité du massage

	COMMANDE VOCALE	EXPLICATION
 COMMANDES D'URGENCE	STOP	Arrêter tout mouvement
	ALL-UP	Relever la tête et le pied de lit, 6 s

SYNCHRONISATION DE DEUX SOMMIERS SIMPLE XL (EN OPTION)

UN CORDON DE SYNCHRONISATION EST FOURNI AVEC LA BASE AJUSTABLE. NON DISPONIBLE AVEC LES BASES DE FORMAT QUEEN OU DOUBLE. LE CORDON DE SYNCHRONISATION CONNECTE LES DEUX BOÎTIERS DE COMMANDE POUR SYNCHRONISER LE MOUVEMENT DES DEUX LITS. UTILISEZ-LE AVEC UN MATELAS DE FORMAT KING PLACÉ SUR DEUX LITS ADJACENTS.

ÉTAPE 1

Débranchez les deux bases de la source d'alimentation.

ÉTAPE 2

Connectez le cordon de synchronisation à la même prise que le dispositif de rondelle à commande vocale, mais de l'autre côté. Elle est située près du détecteur de mouvement.



ÉTAPE 3

Rebranchez les lits à la source d'alimentation. Assurez-vous que tous les cordons sont correctement connectés.

Le système est maintenant couplé. Appuyez sur les boutons de l'une des télécommandes pour commander les deux bases simultanément.

REMARQUES CONCERNANT LE FONCTIONNEMENT

- Si les bases se désynchronisent, le fait de les placer à plat ou à la position la plus basse les resynchronisera.
- (Image 1) Le commutateur du détecteur de mouvement des deux télécommandes doit être dans la même position pour un fonctionnement normal.

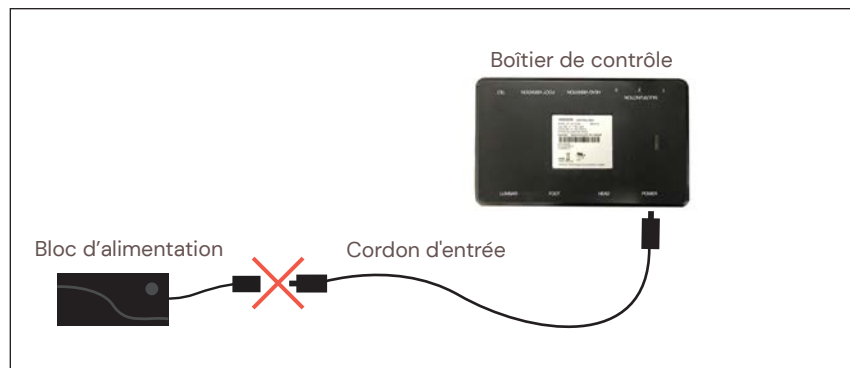


SANGLE POUR PILES DE SECOURS

POUR UNE UTILISATION EN CAS D'URGENCE UNIQUEMENT, EN CAS DE COUPURE DE COURANT. LES PILES NE DOIVENT PAS ÊTRE UTILISÉES POUR LE FONCTIONNEMENT NORMAL DU LIT.

ÉTAPE 1

Soulevez manuellement la tête de lit pour accéder au bloc d'alimentation. Débranchez le bloc d'alimentation du cordon d'entrée connecté au boîtier de contrôle.



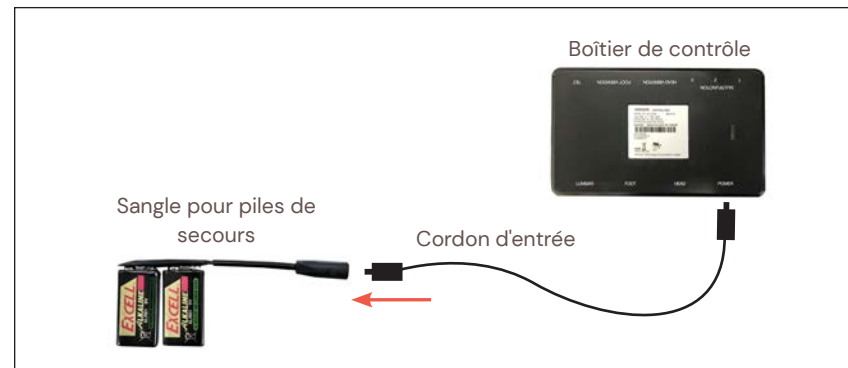
ÉTAPE 2

Connectez la sangle pour piles de secours aux (2) piles alcalines de 9 volts. Ne mélangez pas des piles différentes.



ÉTAPE 3

Connectez l'extrémité de la sangle pour piles de secours au cordon d'entrée et utilisez ensuite la télécommande pour remettre le lit à plat.



Remarque : Détachez la sangle pour piles de secours et rebranchez l'alimentation une fois la situation d'urgence terminée, car le système continuera d'utiliser les piles même s'il n'est pas en fonctionnement.

SI UNE OU PLUSIEURS FONCTIONS DU LIT AJUSTABLE ONT CESSÉ DE FONCTIONNER :

- Vérifiez sous le lit que les connexions câblées sont bien fixées et qu'aucun cordon ou élément de literie n'entrave son déplacement.
- Vérifiez que le voyant vert est allumé sur le bloc d'alimentation. Si le voyant n'est pas allumé, vérifiez que les cordons d'alimentation et d'entrée sont correctement branchés.
- Débranchez la base ajustable pendant 1 minute pour réinitialiser le circuit électronique.
- Branchez la base ajustable sur une autre prise électrique ou testez la prise de courant avec un autre appareil en état de marche (un parasurtenseur mis à la terre est recommandé).
- Visitez le site dawnhouseliving.com pour obtenir des ressources et des renseignements supplémentaires.

Si le problème n'est pas résolu en suivant les instructions ci-dessus, notez le numéro de série sur la carte de garantie ou à l'arrière de la télécommande et appelez :

**SERVICE À LA CLIENTÈLE DAWN HOUSE :
1-888-DAWNHSE (1-888-329-6473)**

SERVICE À LA CLIENTÈLE

© Ergomotion® Inc

V001_07/2023

Téléphone 1-888-DAWNHSE (1-888-329-6473)

Courriel info@dawnhouseliving.com

Web www.dawnhouseliving.com

Numéro de série:

+

+

+

+